



# LuxSpace G4

## DN591B LED20/840 PSD C D200 WH WB WP CAU

LuxSpace Gen4 is the a new LED downlight range combining light comfort and leading performance with luxury appearance

### Product data

General Information	
Lamp colour code	840 neutral white
Light source replaceable	No
Number of gear units	1 unit
Driver/power unit/transformer	PSU-E [ Power supply unit external (PSU)]
Driver included	Yes
Optic type	Faceted reflector with beam angle 60°
Control interface	DALI
Connection	Plug-in connector 3-pole Wieland/Adels compatible and 2x 2-pole control signal for light regulation
Protection class IEC	Safety class I (I)
Glow-wire test	650/30 [ Temperature 650 °C, duration 30 s]
Flammability mark	F [ For mounting on normally flammable surfaces]
CE mark	CE mark
Warranty period	3 years
Constant light output	No
Number of products on MCB	24
RoHS mark	RoHS mark

Operating and Electrical	
Input voltage	220 to 240 V
Input frequency	50 or 60 Hz
Inrush current	20.4 A
Inrush time	0.195 ms

Power factor (min.)	0.9
---------------------	-----

Controls and Dimming	
Dimmable	Yes

Mechanical and Housing	
Housing material	Aluminum die-cast
Reflector material	Polycarbonate aluminum coated
Optic material	Polycarbonate
Optical cover/lens material	Polycarbonate
Fixation material	Steel
Optical cover/lens finish	Textured
Overall height	130 mm
Overall diameter	212 mm
Colour	White and black

Approval and Application	
Ingress protection code	IP54/20 [ Dust accumulation protected, splash-proof/finger protected]
Mech. impact protection code	IK03 [ 0.3 J]

Initial Performance (IEC Compliant)	
Initial luminous flux	2040 lm
Luminous flux tolerance	+/-10%
Initial LED luminaire efficacy	113 lm/W

# LuxSpace G4

Lamp colour temperature	4000 K
Colour Rendering Index	>80
Initial input power	18 W
Power consumption tolerance	+/-10%

## Over Time Performance (IEC Compliant)

Median useful life L70B50	50000 h
Median useful life L80B50	50000 h
Median useful life L90B50	21000 h

## Application Conditions

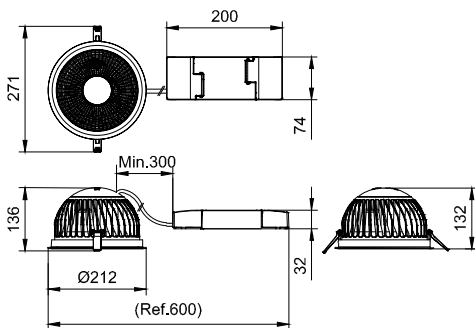
Ambient temperature range	-20 to +40 °C
Maximum dimming level	1%

## Product Data

Full product code	911401553841
Order product name	DN591B LED20/840 PSD C D200 WH WB WP CAU
Order code	911401553841
Numerator – quantity per pack	1
Numerator – packs per outer box	1
Material no. (12NC)	911401553841
Net weight (piece)	1.399 kg



## Dimensional drawing



DN58XB/DN59XB

