



LuxSpace G4

DN590B LED15/830 POE C D150 WH WB GM

LuxSpace Gen4 is the a new LED downlight range combining light comfort and leading performance with luxury appearance

Product data

General Information	
Lamp colour code	830 warm white
Light source replaceable	No
Number of gear units	1 unit
Driver/power unit/transformer	PSU-E [Power supply unit external (PSU)]
Driver included	Yes
Optic type	Faceted reflector with beam angle 60°
Control interface	Power over Ethernet
Connection	RJ45 [RJ45 connector]
Protection class IEC	Safety class III (III)
Glow-wire test	650/30 [Temperature 650 °C, duration 30 s]
Flammability mark	F [For mounting on normally flammable surfaces]
CE mark	CE mark
Warranty period	3 years
Constant light output	No
Number of products on MCB	-
RoHS mark	RoHS mark

Operating and Electrical	
Input voltage	220 to 240 V
Input frequency	50 or 60 Hz
Power factor (min.)	0.9

Controls and Dimming	
Dimmable	Yes

Mechanical and Housing	
Housing material	Aluminum die-cast
Reflector material	Polycarbonate aluminum coated
Optic material	Polycarbonate
Optical cover/lens material	Polycarbonate
Fixation material	Steel
Optical cover/lens finish	Textured
Overall height	100 mm
Overall diameter	162 mm
Colour	White and black

Approval and Application	
Ingress protection code	IP20 [Finger-protected]
Mech. impact protection code	IK03 [0.3 J]

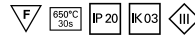
Initial Performance (IEC Compliant)	
Initial luminous flux	1480 lm
Luminous flux tolerance	+/-10%
Initial LED luminaire efficacy	103 lm/W
Lamp colour temperature	3000 K
Colour Rendering Index	>80
Initial input power	14.3 W

LuxSpace G4

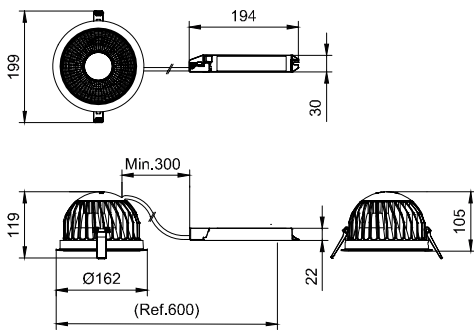
Power consumption tolerance	+/-10%
Over Time Performance (IEC Compliant)	
Median useful life L70B50	50000 h
Median useful life L80B50	50000 h
Median useful life L90B50	21000 h
Application Conditions	
Ambient temperature range	-20 to +40 °C
Maximum dimming level	30%

Product Data

Full product code	911401554141
Order product name	DN590B LED15/830 POE C D150 WH WB GM
Order code	911401554141
Numerator – quantity per pack	1
Numerator – packs per outer box	1
Material no. (12NC)	911401554141
Net weight (piece)	0.799 kg



Dimensional drawing



DN58XB/DN59XB

