



SmartBright Highbay G3

BY239P LED200/NW PSU CAU

SmartBright Highbay G3 is a highly efficient and reliable LED luminaire. Designed as the point-to-point replacement for HPI 250 W/400 W luminaires, it offers customers all the benefits of LED lighting – reduced energy consumption, longer service time and less maintenance. In addition, using the high-quality optical provides an excellent quality of light, which effectively improves the comfort of your environment.

Product data

General Information		Operating and Electrical	
Beam angle of light source	- °	Constant light output	No
Light source colour	840 neutral white	Number of products on MCB	12
Light source replaceable	No	RoHS mark	-
Number of gear units	1 unit	Operating and Electrical	
Driver/power unit/transformer	PSU [Power supply unit]	Input voltage	220 to 240 V
Driver included	Yes	Input frequency	50 to 60 Hz
Optic type	No [-]	Initial CLO power consumption	- W
Optical cover/lens type	Polycarbonate bowl/cover foggy	Average CLO power consumption	- W
Luminaire light beam spread	100°	Inrush current	10.8 A
Control interface	-	Inrush time	0.15 ms
Connection	No [-]	Power factor (min.)	0.9
Cable	Cable 0.3 m without plug	Controls and Dimming	
Protection class IEC	Safety class I (I)	Dimmable	No
Glow-wire test	650/5 [Temperature 650 °C, duration 5 s]	Mechanical and Housing	
Flammability mark	NO [-]	Housing material	Aluminum die-cast
CE mark	CE mark	Reflector material	-
ENEC mark	-		
Warranty period	3 years		

SmartBright Highbay G3

Optic material	-
Optical cover/lens material	Polycarbonate
Fixation material	Aluminum
Optical cover/lens finish	Frosted
Overall height	60 mm
Overall diameter	344 mm
Colour	Dark gray

Approval and Application

Ingress protection code	IP65 [Dust penetration-protected, jet-proof]
Mech. impact protection code	IK06 [1 J]

Initial Performance (IEC Compliant)

Initial luminous flux	20000 lm
Luminous flux tolerance	+/-10%
Initial LED luminaire efficacy	105 lm/W
Init. Corr. colour temperature	4000 K
Init. colour rendering index	>80
Initial chromaticity	(0.38,0.38)SDCM<5
Initial input power	190 W
Power consumption tolerance	+/-10%

Over Time Performance (IEC Compliant)

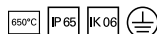
Median useful life L70B50	30000 h
Median useful life L80B50	20000 h
Median useful life L90B50	10000 h

Application Conditions

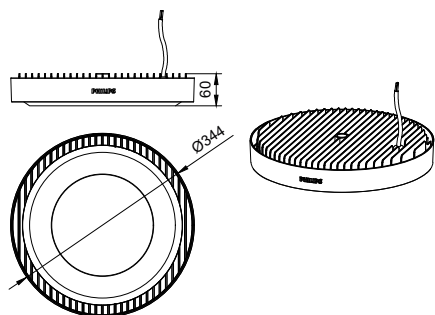
Ambient temperature range	-20 to +45 °C
Maximum dimming level	Not applicable

Product Data

Full product code	911401565351
Order product name	BY239P LED200/NW PSU CAU
EAN/UPC – product	6923828633462
Order code	01565351
Numerator – quantity per pack	1
Numerator – packs per outer box	4
Material no. (12NC)	911401565351
Net weight (piece)	3.500 kg



Dimensional drawing



BY228P/BY238P/BY239P SmartBright Highbay

