



CoreLine Highbay

BY120P G4 LED100S/865 PSD NB

865 cool daylight - Power supply unit with DALI interface -
Narrow beam - Grey

Following the successful introduction of the CoreLine High-bay in 2013, the upgrade to a new generation of LEDs has further improved colour rendering and total cost of ownership. Designed as a replacement for HPI 250/400 W luminaires, CoreLine High-bay offers customers all the benefits of LED lighting – fresh light quality, longer service lifetime, reduced energy consumption and maintenance – from a trusted manufacturer. At the same time, it delivers clear benefits for the installer too. The luminaire can be installed on the existing grid. Electrical connection is straightforward: there is no need to open the luminaire for installation or servicing. And being smaller and lighter than conventional luminaires, it is very easy to handle.

Product data

General Information		Operating and Electrical	
Beam angle of light source	55 °	Protection class IEC	Safety class I
Light source colour	865 cool daylight	Glow-wire test	Temperature 650 °C, duration 30 s
Light source replaceable	No	Flammability mark	F [For mounting on normally flammable surfaces]
Number of gear units	1 unit	CE mark	CE mark
Driver/power unit/transformer	PSD [Power supply unit with DALI interface]	ENEC mark	-
Driver included	Yes	Warranty period	5 years
Optic type	NB [Narrow beam]	Constant light output	No
Optical cover/lens type	PC [Polycarbonate bowl/cover]	Number of products on MCB	13
Luminaire light beam spread	55°	RoHS mark	RoHS mark
Control interface	DALI	Unified glare rating CEN	22
Connection	Connection unit 3-pole		
Cable	Cable 0.3 m with connector 3-pole	Input voltage	220 to 240 V

CoreLine Highbay

Input frequency	50 to 60 Hz
Initial CLO power consumption	- W
Average CLO power consumption	- W
Inrush current	53 A
Inrush time	0.3 ms
Power factor (min.)	0.95

Controls and Dimming

Dimmable	Yes
----------	-----

Mechanical and Housing

Housing material	Aluminium
Reflector material	-
Optic material	Polycarbonate
Optical cover/lens material	Polycarbonate
Fixation material	-
Optical cover/lens finish	Clear
Overall height	445 mm
Overall diameter	385 mm
Colour	Grey

Approval and Application

Ingress protection code	IP65 [Dust penetration-protected, jet-proof]
Mech. impact protection code	IK07 [2 J reinforced]

Initial Performance (IEC Compliant)

Initial luminous flux	10000 lm
Luminous flux tolerance	+/-10%
Initial LED luminaire efficacy	137 lm/W

Init. Corr. colour temperature	6500 K
Init. colour rendering index	>80
Initial chromaticity	(0.307, 0.323 SDCM <5
Initial input power	73 W
Power consumption tolerance	+/-10%

Over Time Performance (IEC Compliant)

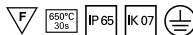
Control gear failure rate at median useful life 50000 h	5 %
Median useful life L70B50	70000 h
Lumen maintenance at median useful life* 50000 h	L80

Application Conditions

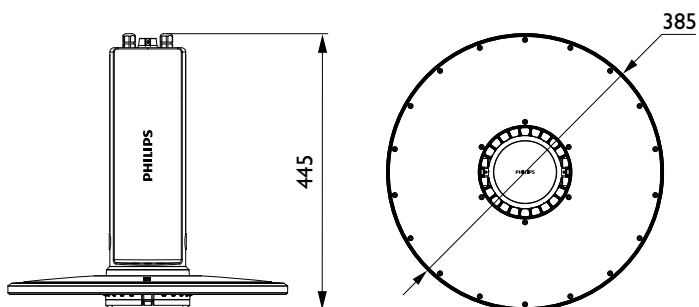
Ambient temperature range	-30 to +45 °C
Performance ambient temperature Tq	25 °C
Maximum dimming level	1%

Product Data

Full product code	871016333704300
Order product name	BY120P G4 LED100S/865 PSD NB
EAN/UPC – product	8710163337043
Order code	33704300
Numerator – quantity per pack	1
Numerator – packs per outer box	1
Material no. (12NC)	911401575651
Net weight (piece)	6.000 kg

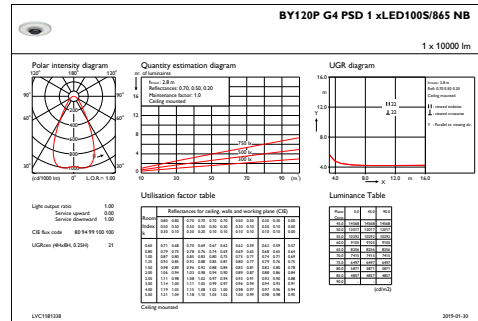
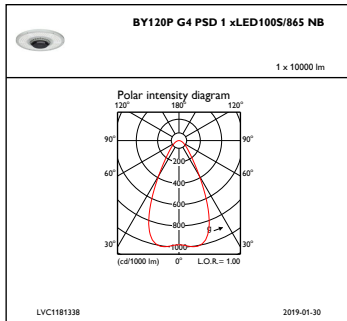


Dimensional drawing



CoreLine High-bay BY120P/BY121P

Photometric data



IFPC1_

IFGU1_

