



Essential LEDtube Batten

BN010C 1xTLED L1200 P M EN

This product is one bare batten for matching Philips TLED product with elegant design and more safety

Product data

General Information	
Light source replaceable	Yes
Driver/power unit/transformer	Power supply unit
Driver included	Yes
Optic type	-
Luminaire light beam spread	-
Connection	Flying leads/wires
Cable	Cable without plug 3-pole
Protection class IEC	Safety class I
CE mark	-
Warranty period	1 years
Constant light output	No
RoHS mark	-
Operating and Electrical	
Input Voltage	220 to 240 V
Input Frequency	50 to 60 Hz
Controls and Dimming	
Dimmable	No

Mechanical and Housing	
Housing Material	Aluminum
Optic material	-
Optical cover/lens material	-
Fixation material	Steel
Optical cover/lens finish	Clear
Overall length	1222 mm
Overall width	33 mm
Overall height	43.5 mm
Color	White

Approval and Application	
Ingress protection code	IP20 [Finger-protected]
Mech. impact protection code	IK00 [No protection]

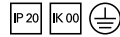
Initial Performance (IEC Compliant)	
Luminous flux tolerance	+/-10%
Power consumption tolerance	+/-10%

Application Conditions	
Maximum dim level	Not applicable

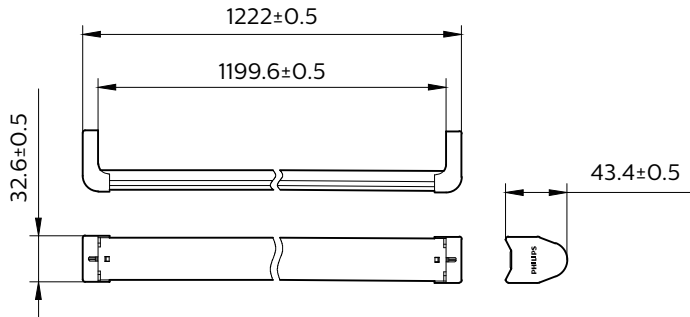
Essential LEDtube Batten

Product Data	
Full product code	871016330756599
Order product name	BN010C 1xTLED L1200 P M EN
EAN/UPC - Product	8710163307565
Order code	911401576731
Numerator - Quantity Per Pack	1

Numerator - Packs per outer box	20
Material Nr. (12NC)	911401576731
Net Weight (Piece)	0.149 kg



Dimensional drawing



BN010C G2

