



GreenSpace G5

DN390B LED6/840 PSU D100 WH CAU

GreenSpace Gen5 is a new LED downlight range combining light efficiency and comfort with product diversity and system compatibility

Product data

General Information	
Beam angle of light source	72°
Lamp colour code	840 neutral white
Light source replaceable	No
Number of gear units	1 unit
Driver/power unit/transformer	PSU [Power supply unit]
Driver included	Yes
Optic type	C-H [High-gloss high reflectance]
Optical cover/lens type	TW [Transparent bowl with white cover]
Luminaire light beam spread	80°
Connection	PI6 [Push-in connector 6-pole]
Cable	Cord with plug
Protection class IEC	Safety class I (I)
Glow-wire test	650/30 [Temperature 650 °C, duration 30 s]
Flammability mark	F [For mounting on normally flammable surfaces]
Warranty period	3 years
Constant light output	No
Number of products on MCB	48

Operating and Electrical	
Input voltage	220-240 V
Input frequency	50 or 60 Hz
Inrush current	2.2 A
Inrush time	0.045 ms

Power factor (min.)	0.9
---------------------	-----

Controls and Dimming	
Dimmable	No

Mechanical and Housing	
Housing material	Aluminum die-cast
Reflector material	Polycarbonate
Optic material	Polycarbonate
Optical cover/lens material	Polycarbonate
Optical cover/lens finish	Matte
Overall height	98 mm
Overall diameter	120 mm
Colour	Black and White

Approval and Application	
Ingress protection code	IP20 [Finger-protected]
Mech. impact protection code	IK02 [0.2 J standard]

Initial Performance (IEC Compliant)	
Initial luminous flux	600 lm
Luminous flux tolerance	+/-10%
Initial LED luminaire efficacy	109 lm/W
Lamp colour temperature	4000 K
Colour Rendering Index	>80

GreenSpace G5

Initial chromaticity	(0.38,0.38) SDCM<5
Initial input power	5.5 W
Power consumption tolerance	+/-10%

Over Time Performance (IEC Compliant)

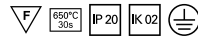
Median useful life L70B50	50000 h
Median useful life L80B50	43000 h
Median useful life L90B50	20000 h

Application Conditions

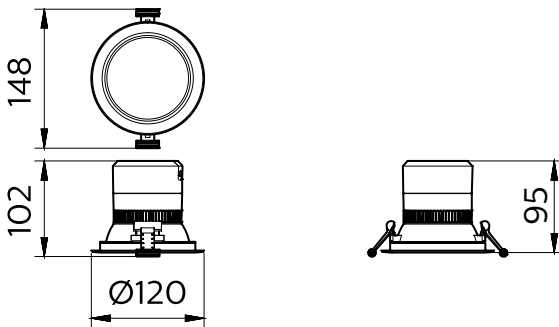
Ambient temperature range	-20 to +40 °C
Maximum dimming level	Not applicable

Product Data

Full product code	871016331931500
Order product name	DN390B LED6/840 PSU D100 WH CAU
EAN/UPC – product	8710163319315
Order code	911401582941
Numerator – quantity per pack	1
Numerator – packs per outer box	1
Material no. (12NC)	911401582941
Net weight (piece)	0.680 kg



Dimensional drawing



DN39XN GreenSpace G5

