



SmartBright Highbay G3

BY238P LED200/CW PSU RLC

SmartBright Highbay G3, 190 W, 20000 lm, 6500 K, 100°

SmartBright Highbay G3 is a high efficient and reliable LED luminaire. Designed as the point to point replacement for HPI 250W/400W luminaires, it offers customers all the benefits of LED lighting – reduced energy consumption, longer service time and less maintenance. In addition, with using high quality of the optical cover, it provides an excellent quality of light, which effectively improves the comfort of your environment.

Product data

General Information		Operating and Electrical	
Light source replaceable	No	Luminous Efficacy (rated) (Nom)	105 lm/W
Number of gear units	1 unit	Color rendering index (CRI)	80
Driver included	Yes	Beam angle of light source	- degree(s)
Light source engine type	LED	Light source color	865 cool daylight
Service tag	Yes	Optic type	-
Glow-wire test	Temperature 650 °C, duration 5 s	Optical cover type	Polycarbonate bowl/cover foggy
Flammability mark	-	Luminaire light beam spread	100°
CE mark	CE mark		
ENEC mark	-	Input Voltage	220 to 240 V
Warranty period	3 years	Line Frequency	50 to 60 Hz
EU RoHS compliant	No	Initial CLO power consumption	- W
		Average CLO power consumption	- W
		Inrush current	10.8 A
		Inrush time	0.15 ms
		Power Consumption	190 W

SmartBright Highbay G3

Power Factor (Fraction)	0.9
Connection	-
Cable	Cable 0.3 m without plug
Number of products on MCB of 16 A type B	12

Temperature

Ambient temperature range	-20 to +45 °C
---------------------------	---------------

Controls and Dimming

Dimmable	No
Driver/power unit/transformer	Power supply unit (On/Off)
Control interface	-
Constant light output	No

Mechanical and Housing

Housing Material	Aluminum die cast
Reflector material	-
Optic material	-
Optical cover material	Polycarbonate
Fixation material	Aluminum
Housing Color	Dark gray
Optical cover finish	Frosted
Overall height	60 mm
Overall diameter	344 mm

Approval and Application

Ingress protection code	IP50 [Dust accumulation-protected]
-------------------------	------------------------------------

Mech. impact protection code	IK06 [1 J]
Protection class IEC	Safety class I

Initial Performance (IEC Compliant)

Luminous flux tolerance	+/-10%
Initial chromaticity	(0.313,0.324)SDCM<5
Power consumption tolerance	+/-10%

Over Time Performance (IEC Compliant)

Driver failure rate at 5000 h	0.01 %
Median useful life L70B50	30,000 hour(s)
Median useful life L80B50	20,000 hour(s)
Median useful life L90B50	10,000 hour(s)

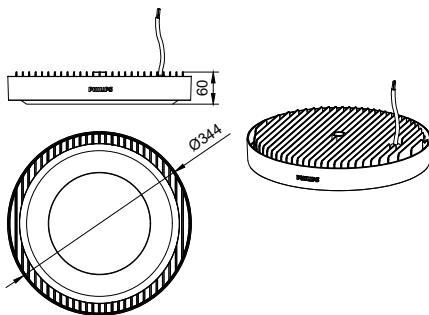
Application Conditions

Maximum dim level	Not applicable
-------------------	----------------

Product Data

Order product name	BY238P LED200/CW PSU RLC
Full product name	BY238P LED200/CW PSU RLC
Full product code	911401583051
Order code	911401583051
Material Nr. (12NC)	911401583051
Numerator - Quantity Per Pack	1
Numerator - Packs per outer box	2

Dimensional drawing



SmartBright Highbay G3

