



Ledinaire High-bay

BY021P LED200S/840 PSU WB GR

Power supply unit - Wide beam - 100°

The Ledinaire range contains a selection of popular off-the-shelf LED luminaires, each of which come with the high Philips' quality levels and competitive price. Reliable, energy-efficient and affordable – just what you need.

Product data

| General Information | |
|-------------------------------|-----------------------------------|
| Beam angle of light source | 100° |
| Light source colour | 840 neutral white |
| Light source replaceable | No |
| Number of gear units | 1 unit |
| Driver/power unit/transformer | PSU [Power supply unit] |
| Driver included | Yes |
| Optic type | WB [Wide beam] |
| Luminaire light beam spread | 100° |
| Control interface | - |
| Connection | Connection unit 3-pole |
| Cable | Cable 0.3 m with connector 3-pole |
| Protection class IEC | Safety class I |
| Glow-wire test | Temperature 650 °C, duration 30 s |
| Flammability mark | NO [-] |
| CE mark | CE mark |
| ENEC mark | - |
| Warranty period | 3 years |
| Constant light output | No |
| Number of products on MCB | 12 |
| RoHS mark | RoHS mark |

| Unified glare rating CEN | >28 |
|-------------------------------|--------------|
| Operating and Electrical | |
| Input voltage | 220 to 240 V |
| Input frequency | 50 to 60 Hz |
| Initial CLO power consumption | - W |
| Average CLO power consumption | - W |
| Inrush current | 10.8 A |
| Inrush time | 0.15 ms |
| Power factor (min.) | 0.95 |

| Controls and Dimming | |
|----------------------|----|
| Dimmable | No |

| Mechanical and Housing | |
|-----------------------------|---------------|
| Housing material | Aluminium |
| Reflector material | Aluminium |
| Optic material | Polycarbonate |
| Optical cover/lens material | Polycarbonate |
| Fixation material | - |
| Optical cover/lens finish | Frosted |

Ledinaire High-bay

| | |
|------------------|-----------|
| Overall height | 60 mm |
| Overall diameter | 344 mm |
| Colour | Dark Grey |

Approval and Application

| | |
|------------------------------|---|
| Ingress protection code | IP65 [Dust penetration-protected, jet-proof] |
| Mech. impact protection code | IK06 [1 J] |

Initial Performance (IEC Compliant)

| | |
|--------------------------------|----------------------|
| Initial luminous flux | 20000 lm |
| Luminous flux tolerance | +/-10% |
| Initial LED luminaire efficacy | 105 lm/W |
| Init. Corr. colour temperature | 4000 K |
| Init. colour rendering index | >80 |
| Initial chromaticity | (0.38, 0.38) SDCM <5 |
| Initial input power | 190 W |
| Power consumption tolerance | +/-10% |

Over Time Performance (IEC Compliant)

| | |
|---|-------|
| Control gear failure rate at median useful life | 7.5 % |
| 50000 h | |

| | |
|--|-----|
| Lumen maintenance at median useful life* | L65 |
| 50000 h | |

Application Conditions

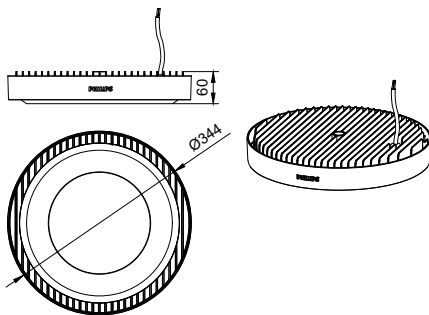
| | |
|------------------------------------|----------------|
| Ambient temperature range | -20 to +45 °C |
| Performance ambient temperature Tq | 25 °C |
| Maximum dimming level | Not applicable |
| Suitable for random switching | Yes |

Product Data

| | |
|---------------------------------|------------------------------|
| Full product code | 871016333998699 |
| Order product name | BY021P LED200S/840 PSU WB GR |
| EAN/UPC – product | 8710163339986 |
| Order code | 33998699 |
| Numerator – quantity per pack | 1 |
| Numerator – packs per outer box | 4 |
| Material no. (12NC) | 911401599751 |
| Net weight (piece) | 3.500 kg |



Dimensional drawing



Ledinaire Highbay

