



# UNIdot

## BGS302 42xLED-HB-4000 24V D140

The right façade lighting enhances the ambiance of any space and sparks imagination. Philips UNIdot is just one of the latest innovations in LED lighting that lets you create that perfect atmosphere both for the outdoor and the indoor.;Dreamy starry nights, and captivating urban landscapes are all made possible with the smart Philips UNIdot LED lighting system. Flexible and modular, UNIdot lights can be affixed on any challenging façade, fulfilling the most creative lighting design brief.;Available in dimmable colour options, with light intensity that is easy to adjust, this makes a great replacement for conventional solutions in terms of performance, versatility, light quality and energy savings.

### Product data

General Information	
Lamp colour code	Neutral white
Light source replaceable	No
Number of gear units	1 unit
Driver/power unit/transformer	ET [ Electronic transformer]
Driver included	No
Optical cover/lens type	PCF [ Polycarbonate bowl/cover frosted]
Control interface	-
Connection	Flying leads/wires
Cable	Cable 0.3 m without plug
Protection class IEC	Safety class III (III)
Flammability mark	F [ For mounting on normally flammable surfaces]
CE mark	CE mark
ENEC mark	-
Warranty period	3 years
Constant light output	No
RoHS mark	RoHS mark

LED engine type	LED
Light Technical	
Standard tilt angle post-top	-
Standard tilt angle side entry	-
Controls and Dimming	
Dimmable	No
Mechanical and Housing	
Housing material	Aluminum die-cast
Optic material	Polycarbonate
Optical cover/lens material	Polycarbonate
Fixation material	Stainless steel
Mounting device	No [ -]
Optical cover/lens shape	Hemispherical flat
Optical cover/lens finish	Frosted
Overall height	51 mm

Overall diameter	140 mm
Colour	Grey and White

**Approval and Application**

Ingress protection code	IP66 [ Dust penetration-protected, jet-proof]
Mech. impact protection code	IK07 [ 2 J reinforced]

**Initial Performance (IEC Compliant)**

Initial luminous flux	506 lm
Luminous flux tolerance	+/-10%
Initial LED luminaire efficacy	74 lm/W
Lamp colour temperature	4000 K
Colour Rendering Index	70
Initial input power	6.8 W
Power consumption tolerance	+/-10%

**Application Conditions**

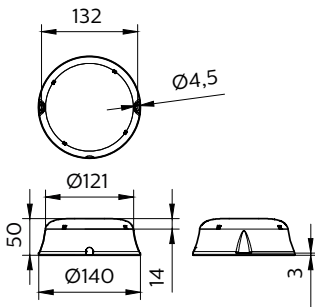
Ambient temperature range	-20 to +50 °C
Maximum dimming level	Not applicable

**Product Data**

Full product code	911401612703
Order product name	BGS302 42xLED-HB-4000 24V D140
Order code	911401612703
Numerator – quantity per pack	1
Numerator – packs per outer box	27
Material no. (12NC)	911401612703
Net weight (piece)	0.420 kg



**Dimensional drawing**



BGS301/302 UNI Dot

