



UNIdot

BGS300 12xLED-HB-RGB 24V D70

The right façade lighting enhances the ambiance of any space and sparks imagination. Philips UNIdot is just one of the latest innovations in LED lighting that lets you create that perfect atmosphere both for the outdoor and the indoor. Dreamy starry nights, and captivating urban landscapes are all made possible with the smart Philips UNIdot LED lighting system. Flexible and modular, UNIdot lights can be affixed on any challenging façade, fulfilling the most creative lighting design brief. Available in dimmable colour options, with light intensity that is easy to adjust, this makes a great replacement for conventional solutions in terms of performance, versatility, light quality and energy savings.

Product data

General Information	
Light source colour	Red, green and blue (RGB)
Light source replaceable	No
Number of gear units	1 unit
Driver/power unit/transformer	ET [Electronic transformer]
Driver included	No
Optical cover/lens type	PCF [Polycarbonate bowl/cover frosted]
Control interface	Dynamix DMX
Connection	Flying leads/wires
Cable	Cable 0.3 m without plug
Protection class IEC	Safety class III (III)
Flammability mark	F [For mounting on normally flammable surfaces]
CE mark	CE mark
ENEC mark	-
Warranty period	3 years
Constant light output	No
EU RoHS compliant	Yes

LED engine type	LED
-----------------	-----

Light Technical	
Standard tilt angle post-top	-
Standard tilt angle side entry	-

Operating and Electrical	
Input voltage	24 DC V
Power factor (min.)	0.9

Controls and Dimming	
Dimmable	Yes

Mechanical and Housing	
Housing material	Aluminum die-cast
Optic material	Polycarbonate
Optical cover/lens material	Polycarbonate
Fixation material	Stainless steel

Mounting device	No [-]
Optical cover/lens shape	Hemispherical flat
Optical cover/lens finish	Frosted
Overall height	52 mm
Overall diameter	70 mm
Colour	Gray and white

Approval and Application

Ingress protection code	IP66 [Dust penetration-protected, jet-proof]
Mech. impact protection code	IK07 [2 J reinforced]

Initial Performance (IEC Compliant)

Initial luminous flux	73 lm
Luminous flux tolerance	+/-10%
Initial LED luminaire efficacy	21 lm/W
Init. Corr. colour temperature	- K
Init. colour rendering index	-
Initial input power	3.4 W

Power consumption tolerance	+/-10%
-----------------------------	--------

Application Conditions

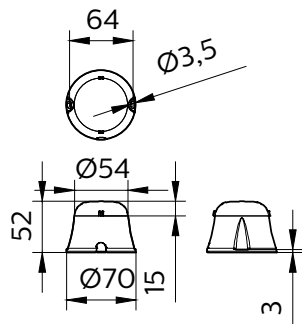
Ambient temperature range	-20 to +50 °C
Maximum dimming level	0% (digital)

Product Data

Full product code	911401616203
Order product name	BGS300 12xLED-HB-RGB 24V D70
Order code	01616203
Numerator – quantity per pack	1
Numerator – packs per outer box	48
Material no. (12NC)	911401616203
Net weight (piece)	0.200 kg



Dimensional drawing



BGS301/302 UNI Dot

