



Tango G3 - BVP38x

BVP382 LED195/WW 150W 220-240V AMB GM

Tango G3 - BVP38x, 19500 lm, 150 W, Warm white, Asymmetrical medium beam, 40° x 80°, Safety class I, Mounting bracket adjustable

The energy-saving Philips Tango G3 LED Floodlight is the ideal solution for a wide range of Area lighting applications. It incorporates the LED light source, optical system, heat sink and driver into one compact and robust housing that meets globally recognized safety standards. Its specially designed heat sink incorporates aesthetics and functionality to ensure excellent reliability. Powered by LED technology, this luminaire delivers superior performance and a longer lifetime, bringing area lighting to a whole new level.

Product data

General Information	
Lamp family code	-
Light source replaceable	Yes
Number of gear units	-
Driver included	Yes
Light source engine type	LED
Lighting Technology	LED
Flammability mark	-
CE mark	CE mark
ENEC mark	-
Warranty period	3 years
EU RoHS compliant	No
Light Technical	
Luminous Flux	19,500 lm

Standard tilt angle posttop	-
Standard tilt angle side entry	-
Correlated Color Temperature (Nom)	3000 K
Luminous Efficacy (rated) (Nom)	130 lm/W
Color rendering index (CRI)	70
Light source color	Warm white
Optical cover type	Polycarbonate micro lens optic
Luminaire light beam spread	40° x 80°
Optic type outdoor	Asymmetrical medium beam
Operating and Electrical	
Input Voltage	220-240 V
Line Frequency	50 or 60 Hz
Initial CLO power consumption	- W
Average CLO power consumption	- W

Tango G3 - BVP38x

End CLO power consumption	- W
Power Consumption	150 W
Power Factor (Fraction)	0.95
Connection	Flying leads/wires
Cable	Cable 1.5 m without plug
Number of products on MCB of 16 A type B	-

Temperature

Ambient temperature range	-40 to +50 °C
---------------------------	---------------

Controls and Dimming

Dimmable	No
Driver/power unit/transformer	Power supply unit (On/Off)
Control interface	-
Constant light output	No

Mechanical and Housing

Housing Material	Aluminum die cast
Reflector material	-
Optic material	Polycarbonate
Optical cover material	Polycarbonate
Fixation material	Steel
Housing Color	Aluminum and gray
Mounting device	Mounting bracket adjustable
Optical cover shape	-
Optical cover finish	Frosted
Overall length	500 mm
Overall width	97 mm
Overall height	498 mm
Effective projected area	0.17 m ²

Dimensions (Height x Width x Depth)	498 x 97 x 500 mm
-------------------------------------	-------------------

Approval and Application

Ingress protection code	IP66 [Dust penetration-protected, jet-proof]
Mech. impact protection code	IK08 [5 J vandal-protected]
Surge Protection (Common/Differential)	Luminaire surge protection level until 15 kV differential mode and 15 kV common mode
Protection class IEC	Safety class I

Initial Performance (IEC Compliant)

Luminous flux tolerance	+/-10%
Initial chromaticity	SDCM<=7
Power consumption tolerance	+/-10%

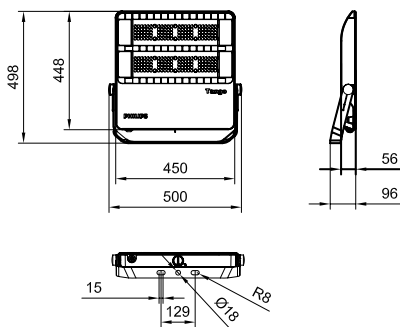
Application Conditions

Maximum dim level	Not applicable
-------------------	----------------

Product Data

Order product name	BVP382 LED195/WW 150W 220-240V AMB GM
Full product name	BVP382 LED195/WW 150W 220-240V AMB GM
Full product code	911401617705
Order code	911401617705
Material Nr. (12NC)	911401617705
Numerator - Quantity Per Pack	1
Numerator - Packs per outer box	1

Dimensional drawing



Tango G3 - BVP38x

