



Tango G3 - BVP38x

BVP382 LED156/NW 120W 220-240V SMB GM

Tango G3 - BVP38x, 15600 lm, 120 W, Neutral white, Symmetrical medium beam, 50°, Safety class I, Mounting bracket adjustable

The energy-saving Philips Tango G3 LED Floodlight is the ideal solution for a wide range of Area lighting applications. It incorporates the LED light source, optical system, heat sink and driver into one compact and robust housing that meets globally recognized safety standards. Its specially designed heat sink incorporates aesthetics and functionality to ensure excellent reliability. Powered by LED technology, this luminaire delivers superior performance and a longer lifetime, bringing area lighting to a whole new level.

Product data

General Information			
Lamp family code	-	Standard tilt angle posttop	-
Light source replaceable	Yes	Standard tilt angle side entry	-
Number of gear units	-	Correlated Color Temperature (Nom)	4000 K
Driver included	Yes	Luminous Efficacy (rated) (Nom)	130 lm/W
Light source engine type	LED	Color rendering index (CRI)	70
Lighting Technology	LED	Light source color	Neutral white
Flammability mark	-	Optical cover type	Polycarbonate micro lens optic
CE mark	CE mark	Luminaire light beam spread	50°
ENEC mark	-	Optic type outdoor	Symmetrical medium beam
Warranty period	3 years		
EU RoHS compliant	No	Operating and Electrical	
		Input Voltage	220-240 V
		Line Frequency	50 or 60 Hz
		Initial CLO power consumption	- W
		Average CLO power consumption	- W
Light Technical			
Luminous Flux	15,600 lm		

Tango G3 - BVP38x

End CLO power consumption	- W
Power Consumption	120 W
Power Factor (Fraction)	0.95
Connection	Flying leads/wires
Cable	Cable 1.5 m without plug
Number of products on MCB of 16 A type B	-

Temperature

Ambient temperature range	-40 to +50 °C
---------------------------	---------------

Controls and Dimming

Dimmable	No
Driver/power unit/transformer	Power supply unit (On/Off)
Control interface	-
Constant light output	No

Mechanical and Housing

Housing Material	Aluminum die cast
Reflector material	-
Optic material	Polycarbonate
Optical cover material	Polycarbonate
Fixation material	Steel
Housing Color	Aluminum and gray
Mounting device	Mounting bracket adjustable
Optical cover shape	-
Optical cover finish	Frosted
Overall length	500 mm
Overall width	97 mm
Overall height	498 mm
Effective projected area	0.17 m ²

Dimensions (Height x Width x Depth)	498 x 97 x 500 mm
-------------------------------------	-------------------

Approval and Application

Ingress protection code	IP66 [Dust penetration-protected, jet-proof]
Mech. impact protection code	IK08 [5 J vandal-protected]
Surge Protection (Common/Differential)	Luminaire surge protection level until 15 kV differential mode and 15 kV common mode
Protection class IEC	Safety class I

Initial Performance (IEC Compliant)

Luminous flux tolerance	+/-10%
Initial chromaticity	SDCM<=7
Power consumption tolerance	+/-10%

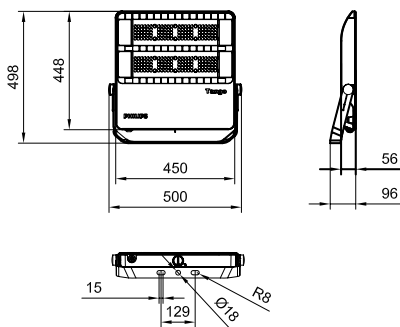
Application Conditions

Maximum dim level	Not applicable
-------------------	----------------

Product Data

Order product name	BVP382 LED156/NW 120W 220-240V SMB GM
Full product name	BVP382 LED156/NW 120W 220-240V SMB GM
Full product code	911401618105
Order code	911401618105
Material Nr. (12NC)	911401618105
Numerator - Quantity Per Pack	1
Numerator - Packs per outer box	1

Dimensional drawing



Tango G3 - BVP38x

