



Tango G3 - BVP38x

BVP382 LED260/NW 200W 220-240V SWB GM

The energy-saving Philips Tango G3 LED Floodlight is the ideal solution for a wide range of Area lighting applications. It incorporates the LED light source, optical system, heat sink and driver into one compact and robust housing that meets globally recognized safety standards. Its specially designed heat sink incorporates aesthetics and functionality to ensure excellent reliability. Powered by LED technology, this luminaire delivers superior performance and a longer lifetime, bringing area lighting to a whole new level.

Product data

| General Information | |
|-------------------------------|--------------------------------|
| Lamp family code | - |
| Light source color | Neutral white |
| Light source replaceable | Yes |
| Number of gear units | - |
| Driver/power unit/transformer | Power supply unit |
| Driver included | Yes |
| Optical cover/lens type | Polycarbonate micro lens optic |
| Luminaire light beam spread | 85° x 85° |
| Control interface | - |
| Connection | Flying leads/wires |
| Cable | Cable 1.5 m without plug |
| Protection class IEC | Safety class I |
| Flammability mark | - |
| CE mark | CE mark |
| ENEC mark | - |
| Warranty period | 3 years |
| Optic type outdoor | Symmetrical wide beam |

| Constant light output | No |
|--|-------------|
| Number of products on MCB of 16 A type B | - |
| RoHS mark | - |
| Light source engine type | LED |
| Serviceability class | - |
| Light Technical | |
| Standard tilt angle posttop | - |
| Standard tilt angle side entry | - |
| Operating and Electrical | |
| Input Voltage | 220-240 V |
| Input Frequency | 50 or 60 Hz |
| Initial CLO power consumption | - W |
| Average CLO power consumption | - W |
| End CLO power consumption | - W |
| Power Factor (Min) | 0.95 |

Tango G3 - BVP38x

Controls and Dimming

| | |
|----------|----|
| Dimmable | No |
|----------|----|

Mechanical and Housing

| | |
|-----------------------------|-----------------------------|
| Housing Material | Aluminum die cast |
| Reflector material | - |
| Optic material | Polycarbonate |
| Optical cover/lens material | Polycarbonate |
| Fixation material | Steel |
| Mounting device | Mounting bracket adjustable |
| Optical cover/lens shape | - |
| Optical cover/lens finish | Frosted |
| Overall length | 500 mm |
| Overall width | 97 mm |
| Overall height | 498 mm |
| Effective projected area | 0.17 m ² |
| Color | Aluminum and gray |

Approval and Application

| | |
|--|--|
| Ingress protection code | IP66 [Dust penetration-protected, jet-proof] |
| Mech. impact protection code | IK08 [5 J vandal-protected] |
| Surge Protection (Common/Differential) | Luminaire surge protection level until 15 kV differential mode and 15 kV common mode |

Initial Performance (IEC Compliant)

| | |
|-------------------------------------|----------|
| Initial luminous flux (system flux) | 26000 lm |
|-------------------------------------|----------|

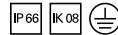
| | |
|--------------------------------|----------|
| Luminous flux tolerance | +/-10% |
| Initial LED luminaire efficacy | 130 lm/W |
| Init. Corr. Color Temperature | 4000 K |
| Init. Color Rendering Index | 70 |
| Initial chromaticity | SDCM<=7 |
| Initial input power | 200 W |
| Power consumption tolerance | +/-10% |

Application Conditions

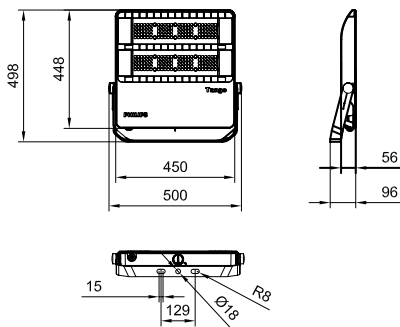
| | |
|---------------------------|----------------|
| Ambient temperature range | -40 to +50 °C |
| Maximum dim level | Not applicable |

Product Data

| | |
|---------------------------------|---------------------------------------|
| Full product code | 871016334429400 |
| Order product name | BVP382 LED260/NW 200W 220-240V SWB GM |
| EAN/UPC - Product | 8710163344294 |
| Order code | 911401630505 |
| Numerator - Quantity Per Pack | 1 |
| Numerator - Packs per outer box | 1 |
| Material Nr. (12NC) | 911401630505 |
| Net Weight (Piece) | 7.999 kg |



Dimensional drawing



Tango G3 - BVP38x

Tango G3 - BVP38x

