



Essential SmartBright LowBay

BY088P LED20/NW OL

Philips Essential SmartBright LowBay is a functional lighting by combining cost-efficiency with clean design. It offers customers all the benefits of LED lighting – reduced energy consumption, longer service time and less maintenance. ;Flexible, safe, and reliable, Essential SmartBright LowBay is a perfect LED replacement to conventional CFL LowBay system, allowing you to bright up your supermarkets, retail shops, and sports recreational spaces the smarter way.

Product data

General Information		RoHS mark	RoHS mark
Lamp colour code	840 neutral white		
Light source replaceable	No		
Number of gear units	1 unit		
Driver/power unit/transformer	PSU [Power supply unit]		
Driver included	Yes		
Optic type	WB [Wide beam]		
Optical cover/lens type	PC [Polycarbonate bowl/cover]		
Luminaire light beam spread	100°		
Connection	Flying leads/wires		
Cable	Cable 0.3 m without plug		
Protection class IEC	Safety class I (I)		
Glow-wire test	650/5 [Temperature 650 °C, duration 5 s]		
Flammability mark	F [For mounting on normally flammable surfaces]		
ENEC mark	-		
Warranty period	1 years		
Constant light output	No		
Number of products on MCB	148		
Operating and Electrical			
Input voltage	220-240 V		
Input frequency	50 or 60 Hz		
Inrush current	8.2 A		
Inrush time	30.8 ms		
Power factor (min.)	0.9		
Controls and Dimming			
Dimmable	No		
Mechanical and Housing			
Housing material	Aluminium		
Reflector material	Aluminium		
Optic material	Polycarbonate		
Optical cover/lens material	Polycarbonate		
Fixation material	-		
Optical cover/lens finish	Frosted		

Essential SmartBright LowBay

Overall height	133 mm
Overall diameter	250 mm
Colour	Grey and Black

Approval and Application

Ingress protection code	IP20 [Finger-protected]
Mech. impact protection code	IK03 [0.3 J]

Initial Performance (IEC Compliant)

Initial luminous flux	1600 lm
Luminous flux tolerance	+/-10%
Initial LED luminaire efficacy	80 lm/W
Lamp colour temperature	4000 K
Colour Rendering Index	≥80
Initial chromaticity	SDCM<5
Initial input power	20 W
Power consumption tolerance	+/-10%

Over Time Performance (IEC Compliant)

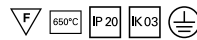
Median useful life L70B50	15000 h
---------------------------	---------

Application Conditions

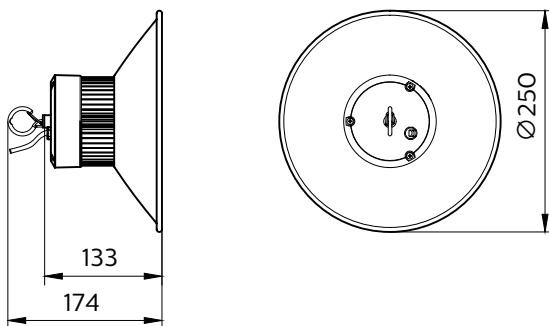
Ambient temperature range	-20 to +40 °C
Suitable for random switching	No

Product Data

Full product code	692382862557300
Order product name	BY088P LED20/NW OL
EAN/UPC – product	6923828625573
Order code	62557300
Numerator – quantity per pack	1
Numerator – packs per outer box	1
Material no. (12NC)	911401669003
Net weight (piece)	0.709 kg



Dimensional drawing



BY088P SmartBright Lowbay

