



# Tango G3 - BVP38x

## BVP383 LED450/NW 400W 220-240V AMB GM

The energy-saving Philips Tango G3 LED Floodlight is the ideal solution for a wide range of Area lighting applications. It incorporates the LED light source, optical system, heat sink and driver into one compact and robust housing that meets globally recognised safety standards. Its specially designed heat sink incorporates aesthetics and functionality to ensure excellent reliability. Powered by LED technology, this luminaire delivers superior performance and a longer lifetime, bringing area lighting to a whole new level.

### Product data

General Information	
Lamp family code	-
Lamp colour code	Neutral white
Light source replaceable	Yes
Driver/power unit/transformer	PSU [ Power supply unit]
Driver included	Yes
Optical cover/lens type	PC-MLO [ Polycarbonate micro lens optic]
Luminaire light beam spread	35° x 100°
Control interface	-
Connection	Flying leads/wires
Cable	Cable 1.5 m without plug (CIK5)
Protection class IEC	Safety class I (I)
Flammability mark	NO [ -]
CE mark	CE mark
ENEC mark	-
Warranty period	3 years
Outdoor optic type	Asymmetrical medium beam
RoHS mark	-

LED engine type	LED
Light Technical	
Standard tilt angle post-top	-
Standard tilt angle side entry	-
Operating and Electrical	
Input voltage	220-240 V
Input frequency	50 or 60 Hz
Power factor (min.)	0.95
Controls and Dimming	
Dimmable	No
Mechanical and Housing	
Housing material	Aluminum die-cast
Reflector material	-
Optic material	Polycarbonate

## Tango G3 - BVP38x

Optical cover/lens material	Polycarbonate
Fixation material	Steel
Mounting device	MBA [ Mounting bracket adjustable]
Optical cover/lens shape	-
Optical cover/lens finish	Frosted
Overall length	591 mm
Overall width	114 mm
Overall height	603 mm
Effective projected area	0.29 m <sup>2</sup>
Colour	Aluminium and Grey

### Approval and Application

Ingress protection code	IP66 [ Dust penetration-protected, jet-proof]
Mech. impact protection code	IK08 [ 5 J vandal-protected]

### Initial Performance (IEC Compliant)

Initial luminous flux	45000 lm
Luminous flux tolerance	+/-10%
Initial LED luminaire efficacy	110 lm/W
Lamp colour temperature	4000 K

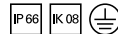
Colour Rendering Index	>70
Initial chromaticity	SDCM< 7
Initial input power	400 W
Power consumption tolerance	+/-10%

### Application Conditions

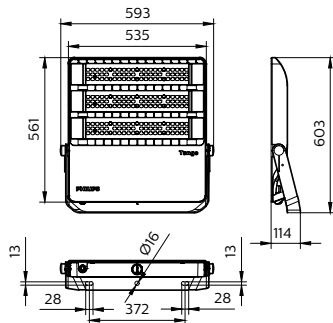
Ambient temperature range	-40 to +50 °C
---------------------------	---------------

### Product Data

Full product code	911401697203
Order product name	BVP383 LED450/NW 400W 220-240V AMB GM
Order code	911401697203
Numerator – quantity per pack	1
Numerator – packs per outer box	1
Material no. (12NC)	911401697203
Net weight (piece)	12.499 kg



## Dimensional drawing



Tango G3 - BVP38x

