



UniPoint

BGP312 5LED 2700K MB GG

Our UniPoint is designed to produce both general and accent lighting while concealing the body of the device, allowing only the light to be exposed. This design can be used to change the surroundings by adding subtle or dramatic contrasting effects. It also includes exclusive features such as energy efficiency, chromatic quality and miniaturization. We guarantee extreme reliability and high level of resistance to adverse weather conditions and vandalism

Product data

| General Information | |
|-------------------------------|---------------------------|
| Light source color | 827 warm white |
| Light source replaceable | No |
| Driver/power unit/transformer | Electronic transformer |
| Driver included | No |
| Optical cover/lens type | Glass bowl/cover |
| Luminaire light beam spread | 25° |
| Control interface | - |
| Connection | Flying leads/wires |
| Cable | Cable without plug 2-pole |
| Protection class IEC | Safety class III |
| CE mark | CE mark |
| Warranty period | 3 years |
| Optic type outdoor | Medium beam angle 25° |
| Constant light output | No |
| RoHS mark | RoHS mark |
| Light source engine type | LED |
| Light Technical | |
| Standard tilt angle posttop | - |

| Standard tilt angle side entry | - |
|--------------------------------|----------------------|
| Operating and Electrical | |
| Input Voltage | 24 DC V |
| Input Frequency | 45 to 66 Hz |
| Inrush current | 1 A |
| Inrush time | 10 ms |
| Power Factor (Min) | 0.97 |
| Controls and Dimming | |
| Dimmable | No |
| Mechanical and Housing | |
| Housing Material | Aluminum die cast |
| Reflector material | Glass |
| Optical cover/lens material | Glass |
| Mounting device | Allen screw fixation |
| Optical cover/lens shape | Conical |
| Optical cover/lens finish | Textured |
| Overall length | 123.5 mm |
| Overall height | 95 mm |

| | |
|------------------|-----------|
| Overall diameter | 90 mm |
| Color | Dark gray |

Approval and Application

| | |
|------------------------------|---|
| Ingress protection code | IP66 [Dust penetration-protected, jet-proof] |
| Mech. impact protection code | IK06 [1 J] |

Initial Performance (IEC Compliant)

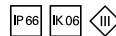
| | |
|-------------------------------------|---------|
| Initial luminous flux (system flux) | 595 lm |
| Luminous flux tolerance | +/-10% |
| Initial LED luminaire efficacy | 59 lm/W |
| Init. Corr. Color Temperature | 2700 K |
| Init. Color Rendering Index | >75 |
| Initial chromaticity | SDCM<5 |
| Initial input power | 10 W |
| Power consumption tolerance | +/-10% |

Application Conditions

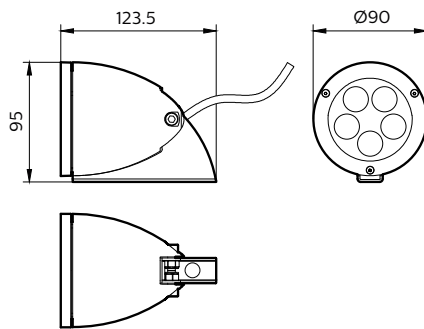
| | |
|---------------------------|---------------|
| Ambient temperature range | -40 to +45 °C |
|---------------------------|---------------|

Product Data

| | |
|---------------------------------|-------------------------|
| Full product code | 911401711632 |
| Order product name | BGP312 5LED 2700K MB GG |
| Order code | 911401711632 |
| Numerator - Quantity Per Pack | 1 |
| Numerator - Packs per outer box | 9 |
| Material Nr. (12NC) | 911401711632 |
| Net Weight (Piece) | 0.777 kg |



Dimensional drawing



BGP312 UniPoint

