



UniPoint

BGP312 5LED 2700K WB GG

Our UniPoint is designed to produce both general and accent lighting while concealing the body of the device, allowing only the light to be exposed. This design can be used to change the surroundings by adding subtle or dramatic contrasting effects. It also includes exclusive features such as energy efficiency, chromatic quality and miniaturisation. We guarantee extreme reliability and high level of resistance to adverse weather conditions and vandalism

Product data

General Information		Inrush time	
Lamp colour code	827 warm white	Inrush time	10 ms
Light source replaceable	No	Power factor (min.)	0.97
Driver/power unit/transformer	ET [Electronic transformer]	Controls and Dimming	
Driver included	No	Dimmable	No
Optical cover/lens type	GB [Glass bowl/cover]	Mechanical and Housing	
Luminaire light beam spread	40°	Housing material	Aluminum die-cast
Connection	Flying leads/wires	Reflector material	Glass
Cable	Cable without plug 2-pole	Optical cover/lens material	Glass
Protection class IEC	Safety class III (III)	Mounting device	Allen screw fixation
CE mark	CE mark	Optical cover/lens shape	Conical
Warranty period	3 years	Optical cover/lens finish	Textured
Outdoor optic type	Wide beam angle 42°	Overall length	123.5 mm
Constant light output	No	Overall height	95 mm
RoHS mark	RoHS mark	Overall diameter	90 mm
LED engine type	LED	Approval and Application	
Operating and Electrical		Ingress protection code	IP66 [Dust penetration-protected , jet-proof]
Input voltage	Primary 230 V, secondary 24 V	Mech. impact protection code	IK06 [1 J]
Input frequency	45 to 66 Hz		
Inrush current	1 A		

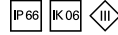
Initial Performance (IEC Compliant)

Initial luminous flux	595 lm
Luminous flux tolerance	+/-10%
Initial LED luminaire efficacy	59 lm/W
Lamp colour temperature	2700 K
Colour Rendering Index	>80
Initial chromaticity	SDCM<5
Initial input power	10 W
Power consumption tolerance	+/-10%

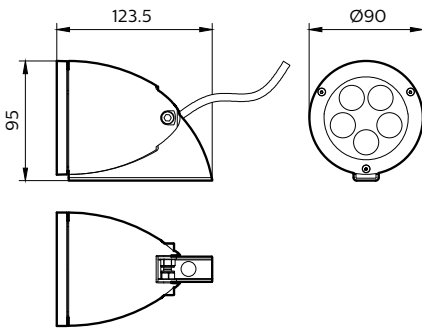
Product Data

Full product code	911401711642
-------------------	--------------

Order product name	BGP312 5LED 2700K WB GG
Order code	911401711642
Numerator – quantity per pack	1
Numerator – packs per outer box	9
Material no. (12NC)	911401711642
Net weight (piece)	0.777 kg



Dimensional drawing



BGP312 UniPoint

