



# UniPoint

## BGP312 5LED 3000K MB GG

Our UniPoint is designed to produce both general and accent lighting while concealing the body of the device, allowing only the light to be exposed. This design can be used to change the surroundings by adding subtle or dramatic contrasting effects. It also includes exclusive features such as energy efficiency, chromatic quality and miniaturisation. We guarantee extreme reliability and high level of resistance to adverse weather conditions and vandalism

### Product data

| General Information           |                              |
|-------------------------------|------------------------------|
| Lamp colour code              | 830 warm white               |
| Light source replaceable      | No                           |
| Driver/power unit/transformer | ET [ Electronic transformer] |
| Driver included               | No                           |
| Optical cover/lens type       | GB [ Glass bowl/cover]       |
| Luminaire light beam spread   | 25°                          |
| Control interface             | -                            |
| Connection                    | Flying leads/wires           |
| Cable                         | Cable without plug 2-pole    |
| Protection class IEC          | Safety class III (III)       |
| CE mark                       | CE mark                      |
| Warranty period               | 3 years                      |
| Optic type outdoor            | Medium beam angle 25°        |
| Constant light output         | No                           |
| EU RoHS compliant             | Yes                          |
| Light source engine type      | LED                          |
| Light Technical               |                              |
| Standard tilt angle post-top  | -                            |

| Standard tilt angle side entry | -                    |
|--------------------------------|----------------------|
| Operating and Electrical       |                      |
| Input Voltage                  | 24 DC V              |
| Input frequency                | 45 to 66 Hz          |
| Inrush current                 | 1 A                  |
| Inrush time                    | 10 ms                |
| Power factor (min.)            | 0.97                 |
| Controls and Dimming           |                      |
| Dimmable                       | No                   |
| Mechanical and Housing         |                      |
| Housing material               | Aluminum die-cast    |
| Reflector material             | Glass                |
| Optical cover/lens material    | Glass                |
| Mounting device                | Allen screw fixation |
| Optical cover/lens shape       | Conical              |
| Optical cover/lens finish      | Textured             |
| Overall length                 | 123.5 mm             |
| Overall height                 | 95 mm                |

# UniPoint

|                  |           |
|------------------|-----------|
| Overall diameter | 90 mm     |
| Colour           | Dark Grey |

## Approval and Application

|                              |   |
|------------------------------|---|
| Ingress protection code      | IP66 [ Dust penetration-protected, jet-proof] |
| Mech. impact protection code | IK06 [ 1 J]                                   |

## Initial Performance (IEC Compliant)

|                                |         |
|--------------------------------|---------|
| Initial luminous flux          | 595 lm  |
| Luminous flux tolerance        | +/-10%  |
| Initial LED luminaire efficacy | 59 lm/W |
| Lamp colour temperature        | 3000 K  |
| Colour Rendering Index         | >75     |
| Initial chromaticity           | SDCM<5  |
| Initial input power            | 10 W    |
| Power consumption tolerance    | +/-10%  |

## Application Conditions

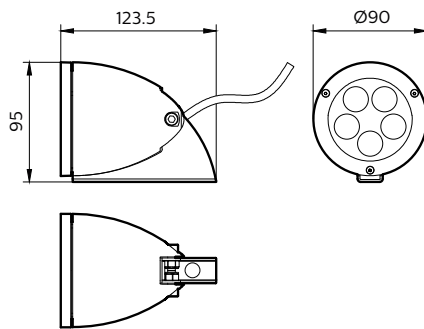
|                           |               |
|---------------------------|---------------|
| Ambient temperature range | -40 to +45 °C |
|---------------------------|---------------|

## Product Data

|                                   |                         |
|-----------------------------------|-------------------------|
| Full product code                 | 911401711662            |
| Order product name                | BGP312 5LED 3000K MB GG |
| Order code                        | 911401711662            |
| SAP numerator – quantity per pack | 1                       |
| Numerator – packs per outer box   | 9                       |
| SAP material                      | 911401711662            |
| SAP net weight (piece)            | 0.777 kg                |



## Dimensional drawing



BGP312 UniPoint

