



# SmartBright Slim Panel - RCA

## RC091V LED26S/840 WO W60L60 RU

SmartBright Slim Panel provides the most affordable LED solution. As an edge light architecture, SmartBright Slim Panel delivers comfortable light with Excellent uniformity.

### Product data

General Information	
Beam angle of light source	120°
Light source color	840 neutral white
Light source replaceable	No
Driver/power unit/transformer	Power supply unit external
Driver included	No
Optic type	Symmetrical
Luminaire light beam spread	120°
Connection	Connection unit 2-pole
Protection class IEC	Safety class III
Glow-wire test	Temperature 650 °C, duration 30 s
Warranty period	3 years
RoHS mark	RoHS mark
Operating and Electrical	
Input Voltage	33-40 V
Input Frequency	0 Hz
Controls and Dimming	
Dimmable	No

Mechanical and Housing	
Housing Material	Metal
Optic material	Methyl methacrylate and styrene monomer
Optical cover/lens material	Polypropylene
Fixation material	Aluminum
Optical cover/lens finish	Frosted
Overall length	595 mm
Overall width	595 mm
Overall height	9 mm
Color	White
Approval and Application	
Ingress protection code	IP20 [ Finger-protected]
Mech. impact protection code	IK03 [ 0.3 J]
Initial Performance (IEC Compliant)	
Initial luminous flux (system flux)	2600 lm
Init. Corr. Color Temperature	4000 K
Init. Color Rendering Index	>80
Initial chromaticity	SDCM<6

## SmartBright Slim Panel - RCA

### Over Time Performance (IEC Compliant)

Median useful life L70B50 25000 h

### Application Conditions

Ambient temperature range -10 to +40 °C

Maximum dim level Not applicable

### Product Data

Full product code 911401714892

Order product name RC091V LED26S/840 WO W60L60 RU

EAN/UPC - Product 8710163317281

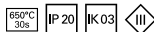
Order code 911401714892

Numerator - Quantity Per Pack 1

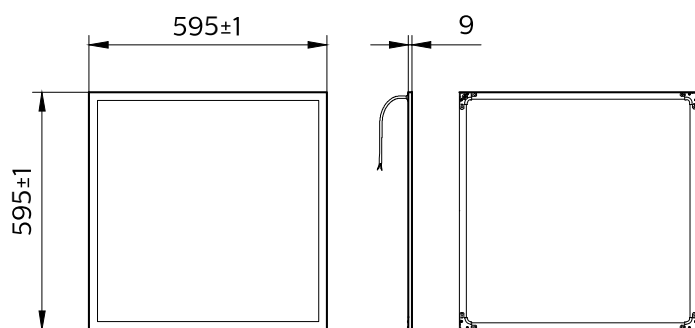
Numerator - Packs per outer box 6

Material Nr. (12NC) 911401714892

Net Weight (Piece) 1.700 kg



### Dimensional drawing



RC091V LED26S/LED36S PSU

