



Image
not yet
available

LED Wall Mount

BWS151 LED200/WW PSU 220-240V 7043

LED Low Power - 830 warm white - Power supply unit - 50 to 60 Hz - Traffic gray B (7043)

People want to create a pleasant atmosphere around their property – something that will catch visitors' attention, make them feel good and want to come back again. They would like to be able to create an appealing ambience at minimum cost, though without compromising on the quality of the lighting. Combining a simple round design with reliable lighting performance, this low-cost white-light LED wall fixture with opal diffuser delivers a soft light effect with attractive uniformity.

Product data

General Information		Operating and Electrical	
Number of light sources	96 [96 pcs]	RAL color	Traffic gray B (7043)
Lamp family code	LED-LP [LED Low Power]	Constant light output	No
Light source color	830 warm white	Number of products on MCB of 16 A type B 1	
Light source replaceable	No	Light source engine type	LED
Number of gear units	1 unit	Operating and Electrical	
Driver/power unit/transformer	PSU [Power supply unit]	Input Voltage	220 to 240 V
Driver included	Yes	Input Frequency	50 to 60 Hz
Optical cover/lens type	PC-UV [Polycarbonate bowl/cover UV-resistant]	Power Factor (Min)	0.4
Connection	Screw connection block	Controls and Dimming	
Cable	Cable without plug 2-pole	Dimmable	No
Protection class IEC	Safety class II (II)	Mechanical and Housing	
Flammability mark	F [For mounting on normally flammable surfaces]	Housing Material	Polycarbonate
CE mark	CE mark	Optical cover/lens material	Polycarbonate
Warranty period	1 years	Mounting device	Allen screw fixation

LED Wall Mount

Optical cover/lens finish	Matte
Overall length	200 mm
Overall width	200 mm
Overall height	62 mm
Color	Dark gray

Approval and Application

Ingress protection code	IP65 [Dust penetration-protected, jet-proof]
Mech. impact protection code	IK08 [5 J vandal-protected]

Initial Performance (IEC Compliant)

Initial luminous flux (system flux)	240 lm
Luminous flux tolerance	+/-10%
Initial LED luminaire efficacy	41.38 lm/W
Init. Corr. Color Temperature	3000 K
Init. Color Rendering Index	>80

Initial input power	5.8 W
Power consumption tolerance	+/-10%

Application Conditions

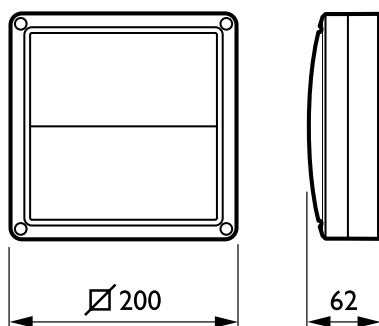
Ambient temperature range	-20 to +40 °C
---------------------------	---------------

Product Data

Full product code	911401724301
Order product name	BWS151 LED200/WW PSU 220-240V 7043
Order code	911401724301
Numerator - Quantity Per Pack	1
Numerator - Packs per outer box	24
Material Nr. (12NC)	911401724301
Net Weight (Piece)	0.680 kg



Dimensional drawing



LED Wall mount BWS150

