



# CoreLine panel

## RC132V LED43S/840 PSU W60L60 OC

CoreLine panel, 35 W, 600x600 mm, 4300 lm, 4000 K, UGR19

Philips CoreLine panel Gen5 delivers on the CoreLine promise of innovation, easy installation and excellent illumination. Designed as a direct replacement for functional luminaires in general lighting applications, this LED panel light's innovative MultiLumen feature offers a choice of three lumen packages in a single luminaire. This makes it easy to select the right product, gives you the flexibility respond to customer preferences on site, and means fewer product codes on stock. Installing this CoreLine RC132V LED panel is quick and easy too, thanks to a quick connector or Wieland connector. Interact Ready luminaires with integrated wireless communications are also available in this CoreLine range, ready to be used with Interact gateways, sensors and software.

### Product data

General Information	
Light source replaceable	No
Number of gear units	1 unit
Driver included	Yes
Service tag	Yes
Lighting Technology	LED
Value ladder	Performance
CE mark	Yes
Warranty period	5 years
Flammability mark	For mounting on normally flammable surfaces
ENEC mark	ENEC mark
Glow-wire test	Temperature 650 °C, duration 30 s
EU RoHS compliant	Yes

Light Technical	
Luminous Flux	4,300 lm
Correlated Color Temperature (Nom)	4000 K
Luminous Efficacy (rated) (Nom)	123 lm/W
Color rendering index (CRI)	≥80
Beam angle of light source	120 degree(s)
Light source color	840 neutral white
Optic type	-
Luminaire light beam spread	90°
Unified glare rating CEN	19

Operating and Electrical	
Input Voltage	220-240 V
Line Frequency	50 to 60 Hz
Average CLO power consumption	35 W

## CoreLine panel

Inrush current	11.8 A
Inrush time	300 ms
Power Consumption	35 W
Power Factor (Fraction)	0.9
Connection	Push-in connector 3-pole
Cable	Cable 0.25 m with push-in connector 3-pole
Number of products on MCB of 16 A type B	24

### Temperature

Ambient temperature range	+10 to +40 °C
---------------------------	---------------

### Controls and Dimming

Dimmable	No
Driver/power unit/transformer	Power supply unit (On/Off)
Constant light output	No

### Mechanical and Housing

Housing Material	Aluminum
Reflector material	-
Optic material	Polymethyl methacrylate
Optical cover material	Polymethyl methacrylate
Fixation material	Aluminum
Housing Color	White
Optical cover finish	Opal
Overall length	597 mm
Overall width	597 mm
Overall height	36 mm
Dimensions (Height x Width x Depth)	36 x 597 x 597 mm

### Approval and Application

Ingress protection code	IP20/44 [Finger-protected; wire-protected, splash-proof]
-------------------------	--

Mech. impact protection code	IK03 [0.3 J]
Sustainability rating	-
Protection class IEC	Safety class II

### Initial Performance (IEC Compliant)

Luminous flux tolerance	+/-10%
Initial chromaticity	(0.38, 0.38) SDCM <3
Power consumption tolerance	+/-10%

### Over Time Performance (IEC Compliant)

Driver failure rate at 5000 h	0.01 %
Control gear failure rate at median useful life 50000 h	5 %
Lumen maintenance at median useful life* 50000 h	L75

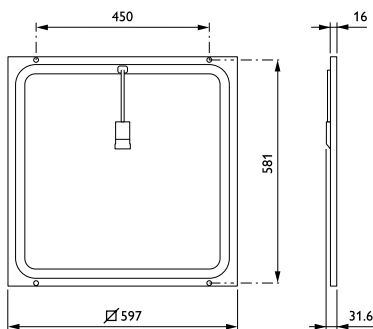
### Application Conditions

Performance ambient temperature Tq	25 °C
Suitable for random switching	Yes

### Product Data

Order product name	RC132V LED43S/840 PSU W60L60 OC
Full product name	RC132V LED43S/840 PSU W60L60 OC
Full product code	871016333468400
Order code	911401735522
Material Nr. (12NC)	911401735522
Numerator - Quantity Per Pack	1
EAN/UPC - Product/Case	8710163334684
Numerator - Packs per outer box	1
EAN/UPC - Case	8710163334684

## Dimensional drawing



## CoreLine panel

