



Essential SmartBright LED Downlight G2

DN027B LED3/CW D90 RD

Power supply unit - Beam angle 110°

Essential SmartBright G2 LED Downlight is value for money product with high efficacy, good quality and reliability. It offers multiple configurations from 300lm to 2000lm output, to replace conventional downlight. It can be used for shopping mall, retail store, residential and office. It's an ideal product family to distribute in trade market.

Product data

General Information		Power factor (min.)	
Light source replaceable	No	0.7	
Number of gear units	1 unit	Controls and Dimming	
Driver/power unit/transformer	PSU [Power supply unit]	Dimmable	No
Driver included	Yes	Mechanical and Housing	
Optic type	110 [Beam angle 110°]	Housing material	Metal/Plastic
Connection	Flying leads/wires	Reflector material	-
Protection class IEC	Safety class II (II)	Optic material	Polycarbonate
Warranty period	1 years	Overall height	33 mm
Constant light output	No	Overall diameter	115 mm
Operating and Electrical		Colour	White
Input voltage	220-240 V	Approval and Application	
Input frequency	50 or 60 Hz	Ingress protection code	IP20 [Finger-protected]
Inrush current	15 A	Mech. impact protection code	IK02 [0.2 J standard]
Inrush time	0.12 ms		

Essential SmartBright LED Downlight G2

Initial Performance (IEC Compliant)

Initial luminous flux	300 lm
Luminous flux tolerance	+/-10%
Lamp colour temperature	6500 K
Colour Rendering Index	80
Initial chromaticity	SDCM<5
Initial input power	4 W
Power consumption tolerance	+/-10%

Over Time Performance (IEC Compliant)

Median useful life L70B50	20000 h
---------------------------	---------

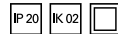
Application Conditions

Ambient temperature range	-20 to +40 °C
---------------------------	---------------

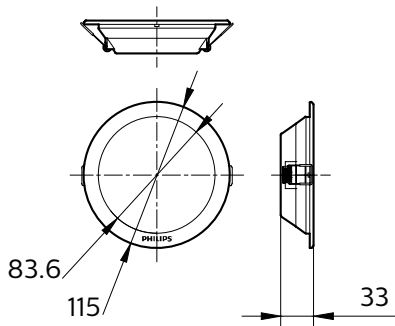
Suitable for random switching	Not applicable
-------------------------------	----------------

Product Data

Full product code	871016330864799
Order product name	DN027B LED3/CW D90 RD
EAN/UPC – product	8710163308647
Order code	30864799
Numerator – quantity per pack	1
Numerator – packs per outer box	24
Material no. (12NC)	911401809897
Net weight (piece)	0.130 kg



Dimensional drawing



DN027B

