



Essential SmartBright LED Downlight

DN027B LED6/CW D100 RD

Essential SmartBright G2 LED Downlight is value for money product with high efficacy, good quality and reliability. It offers multiple configurations from 300lm to 2000lm output, to replace conventional downlight. It can be used for shopping mall, retail store, residential and office. It's an ideal product family to distribute in trade market.

Product data

| General Information | |
|------------------------------------|--------------------|
| Light source replaceable | No |
| Lighting Technology | LED |
| Warranty period | 1 years |
| Light Technical | |
| Luminous Flux | 600 lm |
| Correlated Color Temperature (Nom) | 6500 K |
| Color rendering index (CRI) | 80 |
| Light source color | 3000/4000/6500 |
| Luminaire light beam spread | 110° |
| Operating and Electrical | |
| Line Frequency | 50 or 60 Hz |
| Input Frequency | 50 or 60 Hz |
| Power Consumption | 7 W |
| Power Factor (Fraction) | 0.7 |
| Connection | Flying leads/wires |

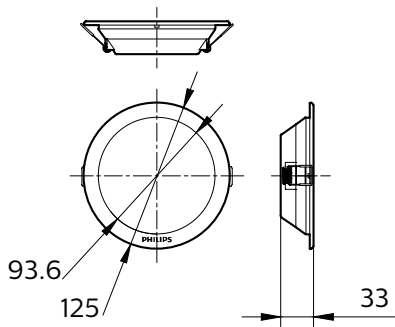
| Temperature | |
|-------------------------------------|----------------------------|
| Ambient temperature range | -20 to +40 °C |
| Controls and Dimming | |
| Dimmable | No |
| Driver/power unit/transformer | Power supply unit (On/Off) |
| Mechanical and Housing | |
| Housing Material | Plastic |
| Reflector material | Polycarbonate |
| Optic material | Polycarbonate |
| Housing Color | White |
| Overall length | 33 mm |
| Overall width | 33 mm |
| Overall height | 33 mm |
| Overall diameter | 125 mm |
| Dimensions (Height x Width x Depth) | 33 x 33 x 33 mm |
| Approval and Application | |
| Ingress protection code | IP20 [Finger-protected] |

Essential SmartBright LED Downlight

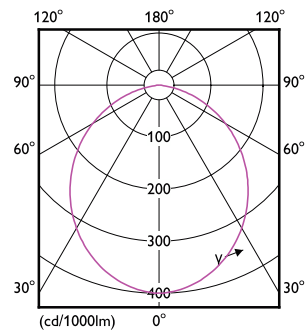
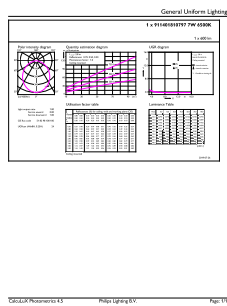
| | |
|--|------------------------|
| Mech. impact protection code | IK02 [0.2 J standard] |
| Protection class IEC | Safety class II |
| Initial Performance (IEC Compliant) | |
| Initial chromaticity | SDCM<5 |
| Power consumption tolerance | +/-10% |
| Product Data | |
| Order product name | DN027B LED6/CW D100 RD |
| Full product name | DN027B LED6/CW D100 RD |

| | |
|---------------------------------|---------------|
| Full product code | 911401810797 |
| Order code | 911401810797 |
| Material Nr. (12NC) | 911401810797 |
| Numerator - Quantity Per Pack | 1 |
| EAN/UPC - Product/Case | 8710163308739 |
| Numerator - Packs per outer box | 24 |
| EAN/UPC - Case | 8710163309613 |

Dimensional drawing



Photometric data



General uniform lighting - DN027B LED6/CW D100 RD

Light Distribution Diagram - DN027B LED6/CW D100 RD

