



Essential SmartBright LED Downlight

DN027B LED15/NW D200 RD

Essential SmartBright G2 LED Downlight is value for money product with high efficacy, good quality and reliability. It offers multiple configurations from 300lm to 2000lm output, to replace conventional downlight. It can be used for shopping mall, retail store, residential and office. It's an ideal product family to distribute in trade market.

Product data

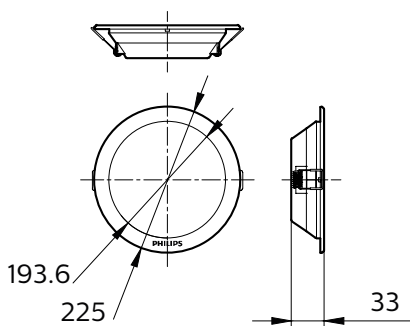
General Information		Temperature	
Light source replaceable	No	Ambient temperature range	-20 to +40 °C
Lighting Technology	LED		
Warranty period	1 years	Controls and Dimming	
		Dimmable	No
		Driver/power unit/transformer	Power supply unit (On/Off)
Light Technical		Mechanical and Housing	
Luminous Flux	1500 lm	Housing Material	Plastic
Correlated Color Temperature (Nom)	4000 K	Reflector material	Polycarbonate
Color rendering index (CRI)	80	Optic material	Polycarbonate
Light source color	3000/4000/6500	Housing Color	White
Luminaire light beam spread	110°	Overall length	33 mm
		Overall width	33 mm
		Overall height	33 mm
		Overall diameter	225 mm
		Dimensions (Height x Width x Depth)	33 x 33 x 33 mm
Operating and Electrical		Approval and Application	
Line Frequency	50 or 60 Hz	Ingress protection code	IP20 [Finger-protected]
Input Frequency	50 or 60 Hz		
Power Consumption	18 W		
Power Factor (Fraction)	0.7		
Connection	Flying leads/wires		

Essential SmartBright LED Downlight

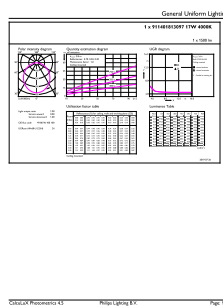
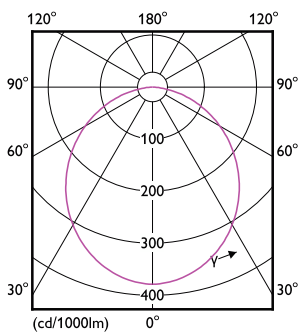
Mech. impact protection code	IK02 [0.2 J standard]
Protection class IEC	Safety class II
Initial Performance (IEC Compliant)	
Initial chromaticity	SDCM<lt/>5
Power consumption tolerance	+/-10%
Product Data	
Order product name	DN027B LED15/NW D200 RD
Full product name	DN027B LED15/NW D200 RD

Full product code	871016330896899
Order code	911401813097
Material Nr. (12NC)	911401813097
Numerator - Quantity Per Pack	1
EAN/UPC - Product/Case	8710163308968
Numerator - Packs per outer box	24
EAN/UPC - Case	8710163309842

Dimensional drawing



Photometric data



Light Distribution Diagram - DN027B LED15/NW D200 RD

General uniform lighting - DN027B LED15/NW D200 RD

