



# Essential SmartBright LED Downlight G2

## DN027C LED9/NW D150

Essential SmartBright G2 LED Downlight is value for money product with high efficacy, good quality and reliability. It offers multiple configurations from 300lm to 2000lm output, to replace conventional downlight. It can be used for shopping mall, retail store, residential and office. It's an ideal product family to distribute in trade market.

### Product data

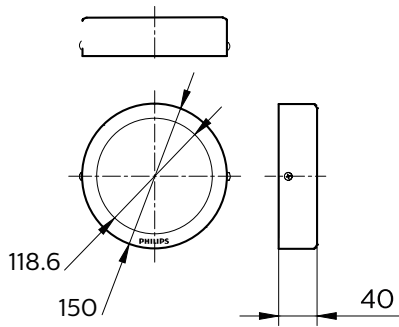
General Information	
Driver included	Yes
Operating and Electrical	
Inrush current	15 A
Inrush time	0.198 ms
Mechanical and Housing	
Housing material	Metal/Plastic
Overall height	40 mm
Overall diameter	150 mm
Approval and Application	
Ingress protection code	IP20 [ Finger-protected]
Mech. impact protection code	IK02 [ 0.2 J standard]
Initial Performance (IEC Compliant)	
Initial luminous flux	900 lm

Lamp colour temperature	4000 K
Colour Rendering Index	80
Initial input power	11 W
Product Data	
Full product code	871016330923199
Order product name	DN027C LED9/NW D150
EAN/UPC – product	8710163309231
Order code	911401815797
Numerator – quantity per pack	1
Numerator – packs per outer box	24
Material no. (12NC)	911401815797
Net weight (piece)	0.360 kg



## Essential SmartBright LED Downlight G2

### Dimensional drawing



DN027B

