



Essential SmartBright LED Downlight G2

DN027C LED12/CW D175

Essential SmartBright G2 LED Downlight is value for money product with high efficacy, good quality and reliability. It offers multiple configurations from 300lm to 2000lm output, to replace conventional downlight. It can be used for shopping mall, retail store, residential and office. It's an ideal product family to distribute in trade market.

Product data

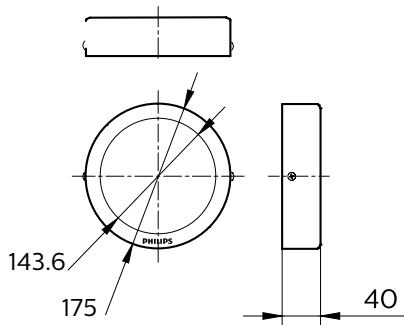
General Information	
Driver included	Yes
Operating and Electrical	
Inrush current	15 A
Inrush time	0.158 ms
Mechanical and Housing	
Housing material	Metal/Plastic
Overall height	40 mm
Overall diameter	175 mm
Approval and Application	
Ingress protection code	IP20 [Finger-protected]
Mech. impact protection code	IK02 [0.2 J standard]
Initial Performance (IEC Compliant)	
Initial luminous flux	1200 lm

Lamp colour temperature	6500 K
Colour Rendering Index	80
Initial input power	15 W
Product Data	
Full product code	871016330927999
Order product name	DN027C LED12/CW D175
EAN/UPC – product	8710163309279
Order code	911401816197
Numerator – quantity per pack	1
Numerator – packs per outer box	24
Material no. (12NC)	911401816197
Net weight (piece)	0.460 kg



Essential SmartBright LED Downlight G2

Dimensional drawing



DN027B

