



Essential SmartBright LED Downlight

DN027C LED15/WW D200

Essential SmartBright G2 LED Downlight is value for money product with high efficacy, good quality and reliability. It offers multiple configurations from 300lm to 2000lm output, to replace conventional downlight. It can be used for shopping mall, retail store, residential and office. It's an ideal product family to distribute in trade market.

Product data

General information	
Light source color	3000/4000/6500
Light source replaceable	No
Luminaire light beam spread	110°
Protection class IEC	Safety class II

Operating and electrical	
Input Voltage	220 to 240 V V
Input Frequency	50 or 60 Hz
Power Factor (Min)	0.9

Mechanical and housing	
Housing Material	Plastic
Reflector material	Polycarbonate
Overall length	200 mm
Overall width	225 mm
Overall height	40 mm
Overall diameter	200 mm
Color	White

Dimensions (Height x Width x Depth)	40 x 225 x 200 mm (1.6 x 8.9 x 7.9 in)
-------------------------------------	--

Approval and application	
Ingress protection code	IP20 [Finger-protected]
Mech. impact protection code	IK02 [0.2 J standard]

Initial performance (IEC compliant)	
Initial luminous flux (system flux)	1500 lm
Init. Corr. Color Temperature	3000 K
Init. Color Rendering Index	80
Initial input power	18 W

Application conditions	
Ambient temperature range	-20 to +40 °C

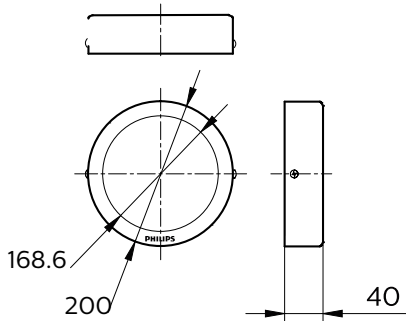
Product data	
Full product code	871016330928699
Order product name	DN027C LED15/WW D200
EAN/UPC - Product	8710163309286
Order code	911401816297

Essential SmartBright LED Downlight

Numerator - Quantity Per Pack	1
Numerator - Packs per outer box	24
Material Nr. (12NC)	911401816297
Net Weight (Piece)	0.570 kg

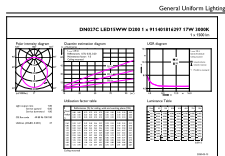


Dimensional drawing

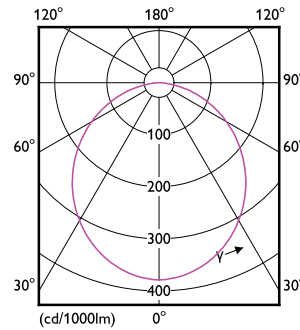


DN027C LED15/WW D200

Photometric data



General Uniform Lighting
 DN027C LED15/WW D200
 Philips Lighting B.V.



Downlight DN027C LED15 WW D200

Downlight DN027C LED15 WW D200

