



Essential SmartBright LED Downlight G2

DN027C LED15/CW D200

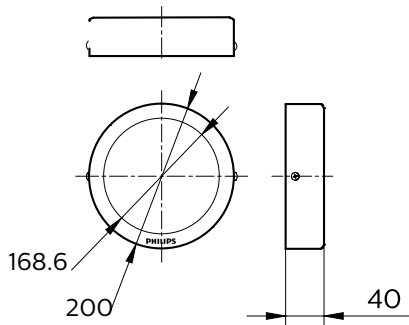
Essential SmartBright G2 LED Downlight is value for money product with high efficacy, good quality and reliability. It offers multiple configurations from 300lm to 2000lm output, to replace conventional downlight. It can be used for shopping mall, retail store, residential and office. It's an ideal product family to distribute in trade market.

Product data

General Information		Lamp colour temperature	
Driver included	Yes		6500 K
Operating and Electrical		Colour Rendering Index	80
Inrush current	16 A	Initial input power	18 W
Inrush time	0.219 ms	Product Data	
Mechanical and Housing		Full product code	871016330930999
Housing material	Metal/Plastic	Order product name	DN027C LED15/CW D200
Overall height	40 mm	EAN/UPC – product	8710163309309
Overall diameter	200 mm	Order code	911401816497
Approval and Application		Numerator – quantity per pack	1
Ingress protection code	IP20 [Finger-protected]	Numerator – packs per outer box	24
Mech. impact protection code	IK02 [0.2 J standard]	Material no. (12NC)	911401816497
Initial Performance (IEC Compliant)		Net weight (piece)	0.570 kg
Initial luminous flux	1500 lm	IP 20 IK 02	

Essential SmartBright LED Downlight G2

Dimensional drawing



DN027B

