



Essential Smartbright LED

BVP161 LED90/NW 100W 220-240V WB GREY GM

LED module 9000 lm

Philips Essential SmartBright LED Floodlight not only ensures savings on initial capital, but also delivers reliable operational savings.

Product data

General Information		Number of products on MCB of 16 A type B 22	
Lamp family code	LED90 [LED module 9000 lm]	RoHS mark	-
Light source color	840 neutral white	Light source engine type	LED
Light source replaceable	No		
Number of gear units	1 unit	Light Technical	
Driver/power unit/transformer	Power supply unit	Upward light output ratio	0
Driver included	Yes	Standard tilt angle posttop	-
Optical cover/lens type	Micro-lens optic in polycarbonate cover, wide	Standard tilt angle side entry	-
Luminaire light beam spread	30° x 80°	Operating and Electrical	
Control interface	-	Input Voltage	220 to 240 V
Connection	Flying leads/wires	Input Frequency	50 to 60 Hz
Cable	Cable 0.6 m without plug	Inrush current	0.64 A
Protection class IEC	Safety class I	Inrush time	1.2 ms
Flammability mark	-	Power Factor (Min)	0.9
CE mark	CE mark	Controls and Dimming	
ENEC mark	-	Dimmable	No
Warranty period	3 years		
Optic type outdoor	Symmetrical		
Constant light output	No		

Essential Smartbright LED

Mechanical and Housing

Housing Material	Aluminum die cast
Reflector material	-
Optic material	Polycarbonate
Optical cover/lens material	Polycarbonate
Fixation material	Steel
Mounting device	Mounting bracket adjustable
Optical cover/lens shape	Flat
Optical cover/lens finish	Frosted
Overall length	315.5 mm
Overall width	233.5 mm
Overall height	41 mm
Effective projected area	0.075 m ²
Color	grey

Approval and Application

Ingress protection code	IP65 [Dust penetration-protected, jet-proof]
Mech. impact protection code	IK07 [2 J reinforced]
Surge Protection (Common/Differential)	EN61547 (L-L 2kV, L-G 4kV) kV

Initial Performance (IEC Compliant)

Initial luminous flux (system flux)	9000 lm
Luminous flux tolerance	+/-10%

Initial LED luminaire efficacy	90.00 lm/W
Init. Corr. Color Temperature	4000 K
Init. Color Rendering Index	>80
Initial chromaticity	(0.38, 0.38) SDCM<5
Initial input power	100 W
Power consumption tolerance	+/-10%

Application Conditions

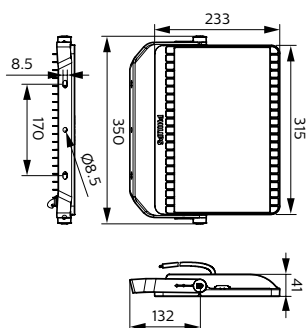
Ambient temperature range	-40 to +45 °C
Maximum dim level	Not applicable

Product Data

Full product code	871016330475599
Order product name	BVP161 LED90/NW 100W 220-240V WB GREY GM
EAN/UPC - Product	8710163304755
Order code	911401823498
Numerator - Quantity Per Pack	1
Numerator - Packs per outer box	6
Material Nr. (12NC)	911401823498
Net Weight (Piece)	2.000 kg



Dimensional drawing



BVP161 LED90 APR trade

