



# Essential Smartbright LED

## BVP161 LED90/NW 100W 220-240V WB GREY KR

LED module 9000 lm

Philips Essential SmartBright LED Floodlight not only ensures savings on initial capital, but also delivers reliable operational savings.

### Product data

General Information		Number of products on MCB of 16 A type B 22	
Lamp family code	LED90 [ LED module 9000 lm]	RoHS mark	-
Light source color	840 neutral white	Light source engine type	LED
Light source replaceable	No		
Number of gear units	1 unit	Light Technical	
Driver/power unit/transformer	Power supply unit	Upward light output ratio	0
Driver included	Yes	Standard tilt angle posttop	-
Optical cover/lens type	Micro-lens optic in polycarbonate cover, wide	Standard tilt angle side entry	-
Luminaire light beam spread	30° x 80°	Operating and Electrical	
Control interface	-	Input Voltage	220 to 240 V
Connection	Flying leads/wires	Input Frequency	50 to 60 Hz
Cable	Cable 0.6 m without plug	Inrush current	0.64 A
Protection class IEC	Safety class I	Inrush time	1.2 ms
Flammability mark	-	Power Factor (Min)	0.9
CE mark	CE mark	Controls and Dimming	
ENEC mark	-	Dimmable	No
Warranty period	3 years		
Optic type outdoor	Symmetrical		
Constant light output	No		

## Essential Smartbright LED

### Mechanical and Housing

Housing Material	Aluminum die cast
Reflector material	-
Optic material	Polycarbonate
Optical cover/lens material	Polycarbonate
Fixation material	Steel
Mounting device	Mounting bracket adjustable
Optical cover/lens shape	Flat
Optical cover/lens finish	Frosted
Overall length	315.5 mm
Overall width	233.5 mm
Overall height	41 mm
Effective projected area	0.075 m <sup>2</sup>
Color	grey

### Approval and Application

Ingress protection code	IP65 [ Dust penetration-protected, jet-proof]
Mech. impact protection code	IK07 [ 2 J reinforced]
Surge Protection (Common/Differential)	EN61547 (L-L 2kV, L-G 4kV) kV

### Initial Performance (IEC Compliant)

Initial luminous flux (system flux)	9000 lm
Luminous flux tolerance	+/-10%

Initial LED luminaire efficacy	90.00 lm/W
Init. Corr. Color Temperature	4000 K
Init. Color Rendering Index	>80
Initial chromaticity	(0.38, 0.38) SDCM<5
Initial input power	100 W
Power consumption tolerance	+/-10%

### Application Conditions

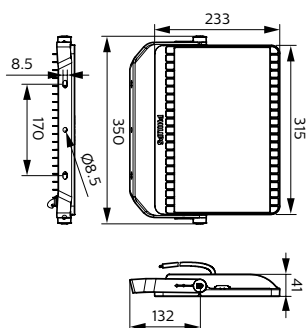
Ambient temperature range	-40 to +45 °C
Maximum dim level	Not applicable

### Product Data

Full product code	911401823998
Order product name	BVP161 LED90/NW 100W 220-240V WB GREY KR
EAN/UPC - Product	8710163305325
Order code	911401823998
Numerator - Quantity Per Pack	1
Numerator - Packs per outer box	6
Material Nr. (12NC)	911401823998
Net Weight (Piece)	2.000 kg



### Dimensional drawing



BVP161 LED90 APR trade

