



SportsStar-BVP621/ BVP622/EVP622

BVP621 LED672/NW 640W 220-240V AWB GM

Philips SportsStar LED Floodlight sets the standard in high quality optical distribution with high performance and low light pollution (or effective light control). From Sports to Area Lighting, our system, including the high masts needed, projects the light exactly where it should be going. Choose the right illumination levels for any given setting with Philips SportsStar LED Floodlight.

Product data

General Information		Optic type outdoor	
Lamp family code	-	Asymmetrical wide beam	
Light source color	Neutral white	Constant light output	No
Light source replaceable	Yes	RoHS mark	-
Number of gear units	1 unit	Light source engine type	LED
Driver/power unit/transformer	PSU [Power supply unit]	Light Technical	
Driver included	Yes	Standard tilt angle posttop	-
Optical cover/lens type	PC-MLO [Polycarbonate micro lens optic]	Standard tilt angle side entry	-
Luminaire light beam spread	15° x 95°	Operating and Electrical	
Control interface	-	Input Voltage	220 to 240 V
Connection	Flying leads/wires	Input Frequency	50 or 60 Hz
Cable	Cable 1.5 m without plug (C1K5)	Power Factor (Min)	0.95
Protection class IEC	Safety class I (I)	Controls and Dimming	
Flammability mark	NO [-]	Dimmable	No
CE mark	CE mark		
ENEC mark	-		
Warranty period	3 years		

SportsStar-BVP621/BVP622/EVP622

Mechanical and Housing

Housing Material	Aluminum extruded
Reflector material	-
Optic material	Polycarbonate
Optical cover/lens material	Polycarbonate
Fixation material	Steel
Mounting device	MBA [Mounting bracket adjustable]
Optical cover/lens shape	-
Optical cover/lens finish	Frosted
Overall length	680 mm
Overall width	610 mm
Overall height	307 mm
Effective projected area	0.42 m ²

Approval and Application

Ingress protection code	IP66 [Dust penetration-protected, jet-proof]
Mech. impact protection code	IK08 [5 J vandal-protected]
Surge Protection (Common/Differential)	Luminaire surge protection level until 15 kV differential mode and 15 kV common mode

Initial Performance (IEC Compliant)

Initial luminous flux (system flux)	67200 lm
Luminous flux tolerance	+/-10%

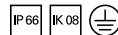
Initial LED luminaire efficacy	105.00 lm/W
Init. Corr. Color Temperature	4000 K
Init. Color Rendering Index	70
Initial chromaticity	SDCM<7
Initial input power	640 W
Power consumption tolerance	+/-10%

Application Conditions

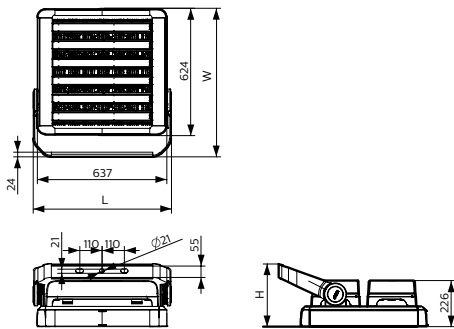
Ambient temperature range	-40 to +50 °C
Maximum dim level	Not applicable

Product Data

Full product code	911401825098
Order product name	BVP621 LED672/NW 640W 220-240V AWB GM
Order code	911401825098
Numerator - Quantity Per Pack	1
Numerator - Packs per outer box	1
Material Nr. (12NC)	911401825098
Net Weight (Piece)	23.999 kg



Dimensional drawing



SportsStar - BVP621/BVP622/EVP622

