



SportsStar- BVP621/BVP622/ EVP622

BVP621 LED1008/NW 960W 220-240V AWB GM

-

Philips SportsStar LED Floodlight sets the standard in high quality optical distribution with high performance and low light pollution (or effective light control). From Sports to Area Lighting, our system, including the high masts needed, projects the light exactly where it should be going. Choose the right illumination levels for any given setting with Philips SportsStar LED Floodlight.

Product data

General Information			
Lamp family code	-	CE mark	CE mark
Light source color	Neutral white	ENEC mark	-
Light source replaceable	Yes	Warranty period	3 years
Number of gear units	2 units	Optic type outdoor	Asymmetrical wide beam
Driver/power unit/transformer	PSU [Power supply unit]	Constant light output	No
Driver included	Yes	RoHS mark	-
Optical cover/lens type	PC-MLO [Polycarbonate micro lens optic]	Light source engine type	LED
Luminaire light beam spread	15° x 95°	Light Technical	
Control interface	-	Standard tilt angle posttop	-
Connection	Flying leads/wires	Standard tilt angle side entry	-
Cable	Cable 1.5 m without plug (C1K5)	Operating and Electrical	
Protection class IEC	Safety class I (I)	Input Voltage	220 to 240 V
Flammability mark	NO [-]		

SportsStar-BVP621/BVP622/EVP622

Input Frequency	50 or 60 Hz
Power Factor (Min)	0.95

Controls and Dimming

Dimmable	No
----------	----

Mechanical and Housing

Housing Material	Aluminum extruded
Reflector material	-
Optic material	Polycarbonate
Optical cover/lens material	Polycarbonate
Fixation material	Steel
Mounting device	MBA [Mounting bracket adjustable]
Optical cover/lens shape	-
Optical cover/lens finish	Frosted
Overall length	680 mm
Overall width	740 mm
Overall height	307 mm
Effective projected area	0.42 m ²
Color	White and black

Approval and Application

Ingress protection code	IP66 [Dust penetration-protected, jet-proof]
Mech. impact protection code	IK08 [5 J vandal-protected]
Surge Protection (Common/Differential)	Luminaire surge protection level until 15 kV differential mode and 15 kV common mode

Initial Performance (IEC Compliant)

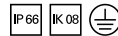
Initial luminous flux (system flux)	108000 lm
Luminous flux tolerance	+/-10%
Initial LED luminaire efficacy	112.50 lm/W
Init. Corr. Color Temperature	4000 K
Init. Color Rendering Index	70
Initial chromaticity	SDCM<7
Initial input power	960 W
Power consumption tolerance	+/-10%

Application Conditions

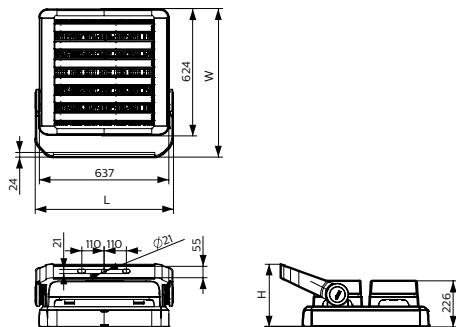
Ambient temperature range	-40 to +50 °C
Maximum dim level	Not applicable

Product Data

Full product code	911401825898
Order product name	BVP621 LED1008/NW 960W 220-240V AWB GM
Order code	911401825898
Numerator - Quantity Per Pack	1
Numerator - Packs per outer box	1
Material Nr. (12NC)	911401825898
Net Weight (Piece)	34.999 kg



Dimensional drawing



SportsStar - BVP621/BVP622/EVP622

