



# SportsStar- BVP621/BVP622/ EVP622

## BVP621 LED1008/NW 960W 220-240V SMB GM

Philips SportsStar LED Floodlight sets the standard in high quality optical distribution with high performance and low light pollution (or effective light control). From Sports to Area Lighting, our system, including the high masts needed, projects the light exactly where it should be going. Choose the right illumination levels for any given setting with Philips SportsStar LED Floodlight.

### Product data

General Information	
Lamp family code	-
Light source color	Neutral white
Light source replaceable	Yes
Number of gear units	2 units
Driver/power unit/transformer	PSU [ Power supply unit]
Driver included	Yes
Optical cover/lens type	PC-MLO [ Polycarbonate micro lens optic]
Luminaire light beam spread	50°
Control interface	-
Connection	Flying leads/wires
Cable	Cable 1.5 m without plug (CIK5)
Protection class IEC	Safety class I (I)
Flammability mark	NO [-]

CE mark	CE mark
ENEC mark	-
Warranty period	3 years
Optic type outdoor	Symmetrical medium beam
Constant light output	No
RoHS mark	-
Light source engine type	LED

Light Technical	
Standard tilt angle posttop	-
Standard tilt angle side entry	-

Operating and Electrical	
Input Voltage	220 to 240 V

# SportsStar-BVP621/BVP622/EVP622

Input Frequency	50 or 60 Hz
Power Factor (Min)	0.95

## Controls and Dimming

Dimmable	No
----------	----

## Mechanical and Housing

Housing Material	Aluminum extruded
Reflector material	-
Optic material	Polycarbonate
Optical cover/lens material	Polycarbonate
Fixation material	Steel
Mounting device	MBA [ Mounting bracket adjustable]
Optical cover/lens shape	-
Optical cover/lens finish	Frosted
Overall length	680 mm
Overall width	740 mm
Overall height	307 mm
Effective projected area	0.42 m <sup>2</sup>

## Approval and Application

Ingress protection code	IP66 [ Dust penetration-protected, jet-proof]
Mech. impact protection code	IK08 [ 5 J vandal-protected]
Surge Protection (Common/Differential)	Luminaire surge protection level until 15 kV differential mode and 15 kV common mode

## Initial Performance (IEC Compliant)

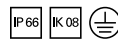
Initial luminous flux (system flux)	108000 lm
Luminous flux tolerance	+/-10%
Initial LED luminaire efficacy	112.50 lm/W
Init. Corr. Color Temperature	4000 K
Init. Color Rendering Index	70
Initial chromaticity	SDCM<7
Initial input power	960 W
Power consumption tolerance	+/-10%

## Application Conditions

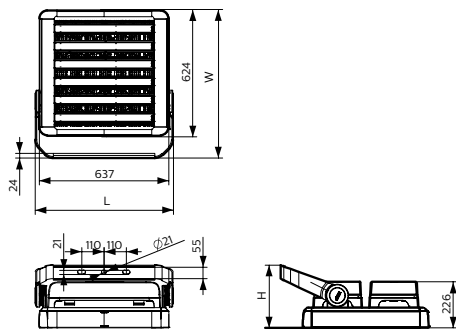
Ambient temperature range	-40 to +50 °C
Maximum dim level	Not applicable

## Product Data

Full product code	911401826398
Order product name	BVP621 LED1008/NW 960W 220-240V SMB
	GM
Order code	911401826398
Numerator - Quantity Per Pack	1
Numerator - Packs per outer box	1
Material Nr. (12NC)	911401826398
Net Weight (Piece)	34.999 kg



## Dimensional drawing



SportsStar - BVP621/BVP622/EVP622

