



# GreenSpace Surface-mounted

## SM293C LED20/830 PSU WH GM

GreenSpace Surface-mounted, 19 W, 2000 lm, 3000 K, High-gloss mirror, Finger-protected

Philips GreenSpace Surface-mounted LED Downlight delivers a superior LED alternative that's up to 66% more energy efficient than the conventional downlight retrofits. Blending seamlessly into its environment, GreenSpace Surface-mounted LED Downlight mimics the form of conventional recessed downlights minus the associated high energy and maintenance costs. Philips GreenSpace Surface-mounted LED Downlight is also ideal for all commercial lighting applications as well as public indoor space where there is limited space in the ceiling.

### Product data

General Information		Light Technical	
Light source replaceable	No	Luminous Flux	2,000 lm
Number of gear units	1 unit	Correlated Color Temperature (Nom)	3000 K
Driver included	Yes	Luminous Efficacy (rated) (Nom)	105 lm/W
Light source engine type	LED	Color rendering index (CRI)	>80
Service tag	Yes	Beam angle of light source	- degree(s)
CE mark	CE mark	Light source color	830 warm white
Warranty period	3 years	Optic type	High-gloss mirror
Flammability mark	-	Optical cover type	Reflector
ENEC mark	-	Luminaire light beam spread	90°
Glow-wire test	Temperature 750 °C, duration 5 s		
EU RoHS compliant	No		
		Operating and Electrical	
		Input Voltage	220 to 240 V
		Line Frequency	50 or 60 Hz

## GreenSpace Surface-mounted

Inrush current	11 A
Inrush time	0.028 ms
Power Consumption	19 W
Power Factor (Fraction)	0.9
Connection	-
Cable	-
Number of products on MCB of 16 A type B	15

### Temperature

Ambient temperature range	-20 to +40 °C
---------------------------	---------------

### Controls and Dimming

Dimmable	No
Driver/power unit/transformer	Power supply unit (On/Off)
Control interface	-
Constant light output	No

### Mechanical and Housing

Housing Material	Aluminum die cast
Reflector material	Aluminum
Optic material	Aluminum
Optical cover material	-
Fixation material	-
Housing Color	White
Optical cover finish	-
Overall length	0 mm
Overall width	0 mm
Overall height	135 mm
Overall diameter	160 mm
Dimensions (Height x Width x Depth)	135 x 0 x 0 mm

### Approval and Application

Ingress protection code	IP20 [Finger-protected]
-------------------------	-------------------------

Mech. impact protection code	IK02 [0.2 J standard]
Protection class IEC	Safety class I

### Initial Performance (IEC Compliant)

Luminous flux tolerance	+/-10%
Initial chromaticity	(0.44, 0.40) SDCM <5
Power consumption tolerance	+/-10%

### Over Time Performance (IEC Compliant)

Driver failure rate at 5000 h	1.00 %
Median useful life L70B50	50,000 h
Median useful life L80B50	40,000 h
Median useful life L90B50	20,000 h

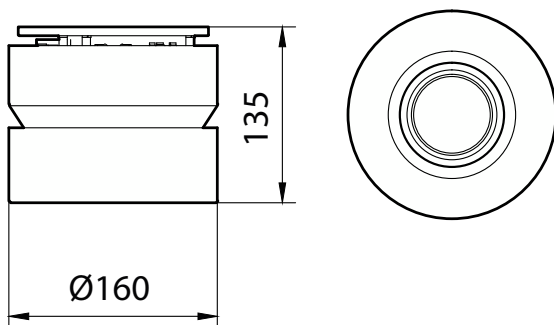
### Application Conditions

Suitable for random switching	No
-------------------------------	----

### Product Data

Order product name	SM293C LED20/830 PSU WH GM
Full product name	SM293C LED20/830 PSU WH GM
Full product code	872016972372600
Local code description	SM293C20WWWWFW
Order code	911401847499
Material Nr. (12NC)	911401847499
Local order code	SM293C20WWWWFW
Numerator - Quantity Per Pack	1
EAN/UPC - Product/Case	8720169723726
Numerator - Packs per outer box	1
EAN/UPC - Case	8720169723726

## Dimensional drawing



## GreenSpace Surface-mounted

