



# GreenSpace Surface-mounted

## SM293C LED20/830 PSU WH GM

Power supply unit - High-gloss mirror - 90°

Philips GreenSpace Surface-mounted LED Downlight delivers a superior LED alternative that's up to 66% more energy efficient than the conventional downlight retrofits. Blending seamlessly into its environment, GreenSpace Surface-mounted LED Downlight mimics the form of conventional recessed downlights minus the associated high energy and maintenance costs.; Philips GreenSpace Surface-mounted LED Downlight is also ideal for all commercial lighting applications as well as public indoor space where there is limited space in the ceiling.

### Product data

General Information		Operating and Electrical	
Beam angle of light source	- °	ENEC mark	-
Lamp colour code	830 warm white	Warranty period	3 years
Light source replaceable	No	Constant light output	No
Number of gear units	1 unit	Number of products on MCB	15
Driver/power unit/transformer	PSU [ Power supply unit]	RoHS mark	-
Driver included	Yes	Input voltage	220 to 240 V
Optic type	C [ High-gloss mirror]	Input frequency	50 or 60 Hz
Luminaire light beam spread	90°	Inrush current	11 A
Connection	No [ -]	Inrush time	0.028 ms
Cable	-	Power factor (min.)	0.9
Protection class IEC	Safety class I (I)		
Glow-wire test	750/5 [ Temperature 750 °C, duration 5 s]		
Flammability mark	NO [ -]		
CE mark	CE mark		

## GreenSpace Surface-mounted

### Controls and Dimming

Dimmable	No
----------	----

### Mechanical and Housing

Housing material	Aluminum die-cast
Reflector material	Aluminium
Optic material	Aluminum
Optical cover/lens material	-
Fixation material	-
Optical cover/lens finish	-
Overall height	135 mm
Overall diameter	160 mm

### Approval and Application

Ingress protection code	IP20 [ Finger-protected]
Mech. Impact protection code	IK02 [ 0.2 J standard]

### Initial Performance (IEC Compliant)

Initial luminous flux	2000 lm
Luminous flux tolerance	+/-10%
Initial LED luminaire efficacy	105.000 lm/W

Lamp colour temperature	3000 K
Colour Rendering Index	>80
Initial chromaticity	(0.44, 0.40) SDCM <5
Initial input power	19 W
Power consumption tolerance	+/-10%

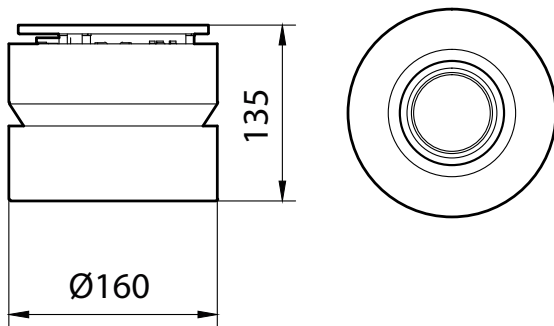
### Application Conditions

Ambient temperature range	-20 to +40 °C
Suitable for random switching	No

### Product Data

Full product code	911401847499
Order product name	SM293C LED20/830 PSU WH GM
Order code	911401847499
Numerator – quantity per pack	1
Numerator – packs per outer box	1
Material no. (12NC)	911401847499
Net weight (piece)	0.599 kg

### Dimensional drawing



GreenSpace surface-mounted

