



# GreenSpace Surface-mounted

## SM295C LED70/865 PSU WP WH GM

Power supply unit - High-gloss mirror - 60°

Philips GreenSpace Surface-mounted LED Downlight delivers a superior LED alternative that's up to 66% more energy efficient than the conventional downlight retrofits. Blending seamlessly into its environment, GreenSpace Surface-mounted LED Downlight mimics the form of conventional recessed downlights minus the associated high energy and maintenance costs. Philips GreenSpace Surface-mounted LED Downlight is also ideal for all commercial lighting applications as well as public indoor space where there is limited space in the ceiling.

### Product data

General Information		Operating and Electrical	
Beam angle of light source	- °	ENEC mark	-
Lamp colour code	865 cool daylight	Warranty period	3 years
Light source replaceable	No	Constant light output	No
Number of gear units	1 unit	Number of products on MCB	24
Driver/power unit/transformer	Power supply unit	RoHS mark	-
Driver included	Yes	Input voltage	220 to 240 V
Optic type	High-gloss mirror	Input frequency	50 or 60 Hz
Luminaire light beam spread	60°	Inrush current	25 A
Connection	-	Inrush time	0.202 ms
Cable	-	Power factor (min.)	0.9
Protection class IEC	Safety class I		
Glow-wire test	Temperature 750 °C, duration 5 s		
Flammability mark	-		
CE mark	CE mark		

## GreenSpace Surface-mounted

### Controls and Dimming

Dimmable	No
----------	----

### Mechanical and Housing

Housing material	Aluminium die-cast
Reflector material	Aluminium
Optic material	Aluminium
Optical cover/lens material	-
Fixation material	-
Optical cover/lens finish	-
Overall height	239 mm
Overall diameter	200 mm

### Approval and Application

Ingress protection code	IP65 [ Dust penetration-protected, jet-proof]
Mech. impact protection code	IK02 [ 0.2 J standard]

### Initial Performance (IEC Compliant)

Initial luminous flux	6600 lm
Luminous flux tolerance	+/-10%
Initial LED luminaire efficacy	100.000 lm/W
Lamp colour temperature	6500 K
Colour Rendering Index	>80
Initial chromaticity	(0.31, 0.32) SDCM <5

Initial input power	66 W
Power consumption tolerance	+/-10%

### Over Time Performance (IEC Compliant)

Driver failure rate at 5,000 hours	1.00 %
Median useful life L70B50	50000 h
Median useful life L80B50	40000 h
Median useful life L90B50	20000 h

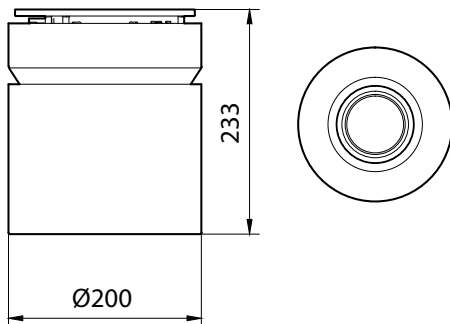
### Application Conditions

Ambient temperature range	-20 to +40 °C
Suitable for random switching	No

### Product Data

Full product code	911401848099
Order product name	SM295C LED70/865 PSU WP WH GM
Order code	911401848099
Numerator – quantity per pack	1
Numerator – packs per outer box	1
Material no. (12NC)	911401848099
Net weight (piece)	2.199 kg

### Dimensional drawing



GreenSpace surface-mounted

