



GreenSpace Surface-mounted

SM294C LED40/865 PSU WP WH GM

Power supply unit - High-gloss mirror - 60°

Philips GreenSpace Surface-mounted LED Downlight delivers a superior LED alternative that's up to 66% more energy efficient than the conventional downlight retrofits. Blending seamlessly into its environment, GreenSpace Surface-mounted LED Downlight mimics the form of conventional recessed downlights minus the associated high energy and maintenance costs.; Philips GreenSpace Surface-mounted LED Downlight is also ideal for all commercial lighting applications as well as public indoor space where there is limited space in the ceiling.

Product data

General Information		Operating and Electrical	
Beam angle of light source	- °	ENEC mark	-
Lamp colour code	865 cool daylight	Warranty period	3 years
Light source replaceable	No	Constant light output	No
Number of gear units	1 unit	Number of products on MCB	24
Driver/power unit/transformer	PSU [Power supply unit]	RoHS mark	-
Driver included	Yes		
Optic type	C [High-gloss mirror]	Input voltage	220 to 240 V
Luminaire light beam spread	60°	Input frequency	50 or 60 Hz
Connection	No [-]	Inrush current	25 A
Cable	-	Inrush time	0.202 ms
Protection class IEC	Safety class I (I)	Power factor (min.)	0.9
Glow-wire test	750/5 [Temperature 750 °C, duration 5 s]		
Flammability mark	NO [-]		
CE mark	CE mark		

GreenSpace Surface-mounted

Controls and Dimming

Dimmable	No
----------	----

Mechanical and Housing

Housing material	Aluminum die-cast
Reflector material	Aluminium
Optic material	Aluminum
Optical cover/lens material	-
Fixation material	-
Optical cover/lens finish	-
Overall height	239 mm
Overall diameter	200 mm

Approval and Application

Ingress protection code	IP65 [Dust penetration-protected, jet-proof]
Mech. Impact protection code	IK02 [0.2 J standard]

Initial Performance (IEC Compliant)

Initial luminous flux	3800 lm
Luminous flux tolerance	+/-10%
Initial LED luminaire efficacy	105.000 lm/W

Lamp colour temperature	6500 K
Colour Rendering Index	>80
Initial chromaticity	(0.31, 0.32) SDCM <5
Initial input power	36 W
Power consumption tolerance	+/-10%

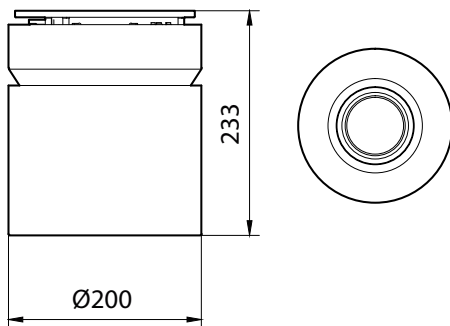
Application Conditions

Ambient temperature range	-20 to +40 °C
Suitable for random switching	No

Product Data

Full product code	911401848299
Order product name	SM294C LED40/865 PSU WP WH GM
Order code	911401848299
Numerator – quantity per pack	1
Numerator – packs per outer box	1
Material no. (12NC)	911401848299
Net weight (piece)	2.199 kg

Dimensional drawing



GreenSpace surface-mounted

