



GreenSpace Surface-mounted

SM294C LED40/865 PSU WH GM

Philips GreenSpace Surface-mounted LED Downlight delivers a superior LED alternative that's up to 66% more energy efficient than the conventional downlight retrofits. Blending seamlessly into its environment, GreenSpace Surface-mounted LED Downlight mimics the form of conventional recessed downlights minus the associated high energy and maintenance costs.; Philips GreenSpace Surface-mounted LED Downlight is also ideal for all commercial lighting applications as well as public indoor space where there is limited space in the ceiling.

Product data

General Information		Warranty period	
Beam angle of light source	- °	Warranty period	3 years
Lamp colour code	865 cool daylight	Constant light output	No
Light source replaceable	No	Number of products on MCB	24
Number of gear units	1 unit	RoHS mark	-
Driver/power unit/transformer	PSU [Power supply unit]	LED engine type	LED
Driver included	Yes	Operating and Electrical	
Optic type	C [High-gloss mirror]	Input voltage	220 to 240 V
Optical cover/lens type	Reflector	Input frequency	50 or 60 Hz
Luminaire light beam spread	60°	Inrush current	4 A
Control interface	-	Inrush time	0.05 ms
Connection	No [-]	Power factor (min.)	0.9
Cable	-	Controls and Dimming	
Protection class IEC	Safety class I (I)	Dimmable	No
Glow-wire test	750/5 [Temperature 750 °C., duration 5 s]	Mechanical and Housing	
Flammability mark	NO [-]	Housing material	Aluminum die-cast
CE mark	CE mark		
ENEC mark	-		

GreenSpace Surface-mounted

Reflector material	Aluminium
Optic material	Aluminum
Optical cover/lens material	-
Fixation material	-
Optical cover/lens finish	-
Overall length	0 mm
Overall width	0 mm
Overall height	170 mm
Overall diameter	160 mm
Colour	White

Approval and Application

Ingress protection code	IP20 [Finger-protected]
Mech. impact protection code	IK02 [0.2 J standard]

Initial Performance (IEC Compliant)

Initial luminous flux	3800 lm
Luminous flux tolerance	+/-10%
Initial LED luminaire efficacy	100 lm/W
Lamp colour temperature	6500 K
Colour Rendering Index	>80
Initial chromaticity	(0.31, 0.32) SDCM <5
Initial input power	38 W

Power consumption tolerance	+/-10%
-----------------------------	--------

Over Time Performance (IEC Compliant)

Median useful life L70B50	50000 h
Median useful life L80B50	40000 h
Median useful life L90B50	20000 h

Application Conditions

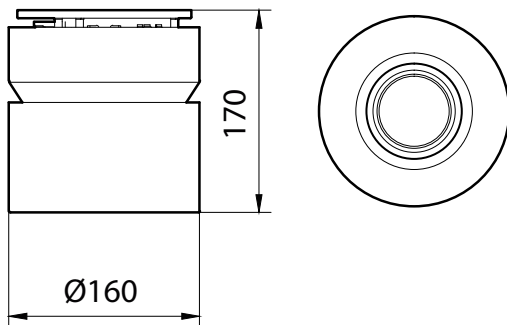
Ambient temperature range	-20 to +40 °C
Suitable for random switching	No

Product Data

Full product code	911401848799
Order product name	SM294C LED40/865 PSU WH GM
Order code	01848799
Numerator – quantity per pack	1
Numerator – packs per outer box	1
Material no. (12NC)	911401848799
Net weight (piece)	0.799 kg



Dimensional drawing



SM291C/293C/294C/295C GreenSpace surface-mounted

