



# GreenPerform Highbay G3

## BY698X LED300/NW PIR NB L3000 EN

GreenPerform Highbay G3, 225 W, 29000 lm, 4000 K, 60°

Following the successful introduction of the GreenPerform Highbay G2 in 2013, while continue providing the superior light quality, long service lifetime, reduced energy consumption and less maintenance in the switch on-off (PSU) and Dali dimmable (PSD) versions, the new generation Highbay seamlessly integrates state-of-the-art LED lighting with an easy-to-use and reliable wireless ZIGBEE control solution (ACW) and simple movement detection solution (PIR). In the ACW version products, when the situation on the work floor changes, settings such as dimming levels and timing can be changed wirelessly by the end-users themselves. Luminaires can be combined in groups across the layout, and re-zoning them does not require a hardware change, thus minimizing commissioning costs. The system delivers savings over and above the actual efficiency of the LEDs and is future-proof. In the PIR version products, when there has no movement detected after 15 minutes, the lighting will dimming down to 25% of the lumen output, which helps to maximum your energy saving in a simple way. Easy to understand, easy to design-in, and easy to use, GreenPerform Highbay G3 is a smart way to light up your business.

### Product data

| General Information      |         | Warranty period        |   |
|--------------------------|---------|------------------------|---|
| Light source replaceable | No      | 3 years                |   |
| Number of gear units     | 2 units | Flammability mark      | For mounting on normally flammable surfaces |
| Driver included          | Yes     | Glow-wire test         | Temperature 650 °C, duration 5 s            |
| Light source engine type | LED     | <b>Light Technical</b> |   |
| Service tag              | Yes     | Luminous Flux          | 29,000 lm                                   |
| CE mark                  | CE mark |                        |   |

# GreenPerform Highbay G3

|                                    |                          |
|------------------------------------|--------------------------|
| Correlated Color Temperature (Nom) | 4000 K                   |
| Luminous Efficacy (rated) (Nom)    | 129 lm/W                 |
| Color rendering index (CRI)        | >80                      |
| Light source color                 | 840 neutral white        |
| Optic type                         | Narrow beam              |
| Optical cover type                 | Polycarbonate bowl/cover |
| Luminaire light beam spread        | 60°                      |

## Operating and Electrical

|   |                          |
|---|--------------------------|
| Input Voltage                               | 220 to 240 V             |
| Line Frequency                              | 50 to 60 Hz              |
| Inrush current                              | 92 A                     |
| Inrush time                                 | 0.44 ms                  |
| Power Consumption                           | 225 W                    |
| Power Factor (Fraction)                     | 0.95                     |
| Connection                                  | Flying leads/wires       |
| Cable                                       | Cable 3.0 m without plug |
| Number of products on MCB of 16 A type B 11 |                          |

## Temperature

|                           |               |
|---------------------------|---------------|
| Ambient temperature range | -30 to +50 °C |
|---------------------------|---------------|

## Controls and Dimming

|                               |                              |
|-------------------------------|------------------------------|
| Dimmable                      | Yes                          |
| Driver/power unit/transformer | Power supply unit regulating |
| Control interface             | -                            |
| Constant light output         | No                           |

## Mechanical and Housing

|                        |                   |
|------------------------|-------------------|
| Housing Material       | Aluminum die cast |
| Optic material         | Polycarbonate     |
| Optical cover material | Polycarbonate     |
| Housing Color          | Dark gray         |

|                      |        |
|----------------------|--------|
| Optical cover finish | Clear  |
| Overall height       | 120 mm |
| Overall diameter     | 530 mm |

## Approval and Application

|                              |  |
|------------------------------|--|
| Ingress protection code      | IP65 [Dust penetration-protected, jet-proof] |
| Mech. impact protection code | IK07 [2 J reinforced]                        |
| Protection class IEC         | Safety class I                               |

## Initial Performance (IEC Compliant)

|                             |                   |
|-----------------------------|-------------------|
| Luminous flux tolerance     | +/-10%            |
| Initial chromaticity        | (0.38.0.38)SDCM<5 |
| Power consumption tolerance | +/-10%            |

## Over Time Performance (IEC Compliant)

|                               |                |
|-------------------------------|----------------|
| Driver failure rate at 5000 h | 0.01 %         |
| Median useful life L70B50     | 50,000 hour(s) |
| Median useful life L80B50     | 40,000 hour(s) |
| Median useful life L90B50     | 30,000 hour(s) |

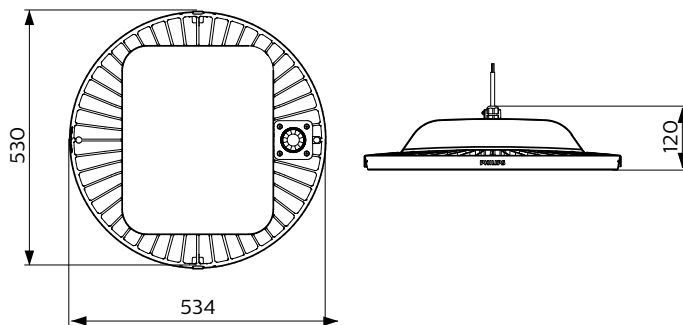
## Application Conditions

|                               |     |
|-------------------------------|-----|
| Suitable for random switching | Yes |
|-------------------------------|-----|

## Product Data

|                                 |                                  |
|---------------------------------|----------------------------------|
| Order product name              | BY698X LED300/NW PIR NB L3000 EN |
| Full product name               | BY698X LED300/NW PIR NB L3000 EN |
| Full product code               | 911401866299                     |
| Order code                      | 911401866299                     |
| Material Nr. (12NC)             | 911401866299                     |
| Numerator - Quantity Per Pack   | 1                                |
| Numerator - Packs per outer box | 1                                |

## Dimensional drawing



## GreenPerform Highbay G3

