



FlexAccent G2

RS391B LED10/940 PSU-E MB GM

Electronic transformer - - - 20°

FlexAccent G2 is a functional LED accent lighting product delivering high quality of light, outstanding colour, compact design and tailor mode option. ;It offers optimised colour spectrum that enhances look of merchandise with PremiumWhite CoB LED technology. ;FlexAccent G2 creates very “true” lighting effect – the real CDM-Elite replacement with 1000lm to 3500lm output/head.;It could apply to shopping mall, retail store, fashion shop etc.

Product data

General Information	
Beam angle of light source	- °
Lamp colour code	940 neutral white
Number of gear units	1 unit
Driver/power unit/transformer	ET [Electronic transformer]
Driver included	No
Optic type	No [-]
Luminaire light beam spread	20°
Control interface	-
Connection	CE [External connector]
Protection class IEC	Safety class II (II)
Glow-wire test	60030 [Temperature 600 °C, duration 30 s]
Flammability mark	NO [-]
CE mark	CE mark
ENEC mark	-
Warranty period	3 years
Constant light output	No
Number of products on MCB	-

RoHS mark	RoHS mark
Operating and Electrical	
Input voltage	220 to 240 V
Input frequency	50 to 60 Hz
Power factor (min.)	0.9
Controls and Dimming	
Dimmable	No
Mechanical and Housing	
Housing material	Aluminum die-cast
Reflector material	-
Optic material	Polymethyl methacrylate
Optical cover/lens material	Polymethyl methacrylate
Fixation material	Aluminum
Optical cover/lens finish	Textured
Overall height	79 mm

FlexAccent G2

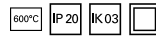
Overall diameter	124 mm
Approval and Application	
Ingress protection code	IP20 [Finger-protected]
Mech. impact protection code	IK03 [0.3 J]
Initial Performance (IEC Compliant)	
Initial luminous flux	1000 lm
Luminous flux tolerance	+/-10%
Initial LED luminaire efficacy	83.33 lm/W
Lamp colour temperature	4000 K
Colour Rendering Index	>90
Initial chromaticity	SDCM<4
Initial input power	12 W
Power consumption tolerance	+/-10%

Application Conditions

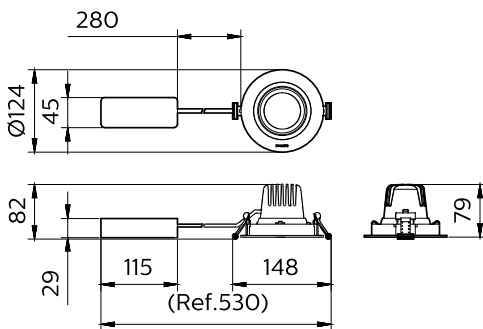
Ambient temperature range	-15 to +35 °C
Maximum dimming level	Not applicable
Suitable for random switching	No

Product Data

Full product code	911401877799
Order product name	RS391B LED10/940 PSU-E MB GM
Order code	911401877799
Numerator – quantity per pack	1
Numerator – packs per outer box	1
Material no. (12NC)	911401877799
Net weight (piece)	0.699 kg



Dimensional drawing



GD391B/RS391B/ST391T Flex Accent G2

