



# FlexAccent G2

## RS391B LED20/940 PSU-E MB GM

Electronic transformer - - - 20°

FlexAccent G2 is a functional LED accent lighting product delivering high quality of light, outstanding colour, compact design and tailor mode option. ;It offers optimised colour spectrum that enhances look of merchandise with PremiumWhite CoB LED technology. ;FlexAccent G2 creates very “true” lighting effect – the real CDM-Elite replacement with 1000lm to 3500lm output/head.;It could apply to shopping mall, retail store, fashion shop etc.

### Product data

General Information	
Beam angle of light source	- °
Lamp colour code	940 neutral white
Number of gear units	1 unit
Driver/power unit/transformer	ET [ Electronic transformer]
Driver included	No
Optic type	No [ -]
Luminaire light beam spread	20°
Control interface	-
Connection	CE [ External connector]
Protection class IEC	Safety class II (II)
Glow-wire test	60030 [ Temperature 600 °C, duration 30 s]
Flammability mark	NO [ -]
CE mark	CE mark
ENEC mark	-
Warranty period	3 years
Constant light output	No
Number of products on MCB	-

RoHS mark	RoHS mark
Operating and Electrical	
Input voltage	220 to 240 V
Input frequency	50 to 60 Hz
Power factor (min.)	0.9
Controls and Dimming	
Dimmable	No
Mechanical and Housing	
Housing material	Aluminum die-cast
Reflector material	-
Optic material	Polymethyl methacrylate
Optical cover/lens material	Polymethyl methacrylate
Fixation material	Aluminum
Optical cover/lens finish	Textured
Overall height	79 mm

## FlexAccent G2

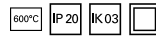
Overall diameter	124 mm
<b>Approval and Application</b>	
Ingress protection code	IP20 [ Finger-protected]
Mech. impact protection code	IK03 [ 0.3 J]
<b>Initial Performance (IEC Compliant)</b>	
Initial luminous flux	2000 lm
Luminous flux tolerance	+/-10%
Initial LED luminaire efficacy	76.92 lm/W
Lamp colour temperature	4000 K
Colour Rendering Index	>90
Initial chromaticity	SDCM<4
Initial input power	26 W
Power consumption tolerance	+/-10%

### Application Conditions

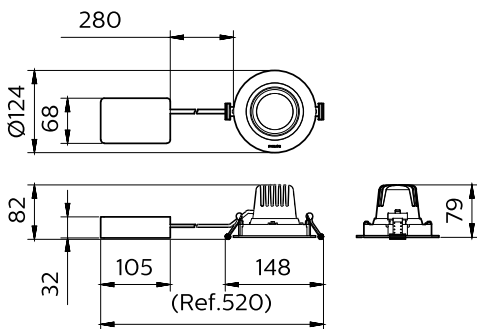
Ambient temperature range	-15 to +35 °C
Maximum dimming level	Not applicable
Suitable for random switching	No

### Product Data

Full product code	911401878799
Order product name	RS391B LED20/940 PSU-E MB GM
Order code	911401878799
Numerator – quantity per pack	1
Numerator – packs per outer box	1
Material no. (12NC)	911401878799
Net weight (piece)	0.699 kg



### Dimensional drawing



GD391B/RS391B/ST391T Flex Accent G2

