



FlexAccent G2

RS391B LED35/840 PSU-E WB GM

Electronic transformer - - - Lens - 34°

FlexAccent G2 is a functional LED accent lighting product delivering high quality of light, outstanding colour, compact design and tailor mode option. ;It offers optimised colour spectrum that enhances look of merchandise with PremiumWhite CoB LED technology. ;FlexAccent G2 creates very “true” lighting effect – the real CDM-Elite replacement with 1000lm to 3500lm output/head.;It could apply to shopping mall, retail store, fashion shop etc.

Product data

General Information	
Beam angle of light source	- °
Light source colour	840 neutral white
Number of gear units	1 unit
Driver/power unit/transformer	ET [Electronic transformer]
Driver included	No
Optic type	No [-]
Optical cover/lens type	Lens
Luminaire light beam spread	34°
Control interface	-
Connection	CE [External connector]
Protection class IEC	Safety class II (II)
Glow-wire test	60030 [Temperature 600 °C, duration 30 s]
Flammability mark	NO [-]
CE mark	CE mark
ENEC mark	-
Warranty period	3 years
Constant light output	No
Number of products on MCB (16 A type B)	-

EU RoHS compliant	Yes
Light source engine type	LED
Operating and Electrical	
Input Voltage	220 to 240 V
Input frequency	50 to 60 Hz
Power factor (min.)	0.9
Controls and Dimming	
Dimmable	No
Mechanical and Housing	
Housing material	Aluminum die-cast
Reflector material	-
Optic material	Polymethyl methacrylate
Optical cover/lens material	Polymethyl methacrylate
Fixation material	Aluminium
Optical cover/lens finish	Textured
Overall length	0 mm

FlexAccent G2

Overall width	0 mm
Overall height	104 mm
Overall diameter	156 mm
Colour	White

Approval and Application

Ingress protection code	IP20 [Finger-protected]
Mech. impact protection code	IK03 [0.3 J]

Initial Performance (IEC Compliant)

Initial luminous flux (system flux)	3500 lm
Luminous flux tolerance	+/-10%
Initial LED luminaire efficacy	72.92 lm/W
Init. Corr. Colour Temperature	4000 K
Init. Colour rendering index	>80
Initial chromaticity	SDCM<4
Initial input power	48 W
Power consumption tolerance	+/-10%

Over Time Performance (IEC Compliant)

Median useful life L70B50	30000 h
---------------------------	---------

Application Conditions

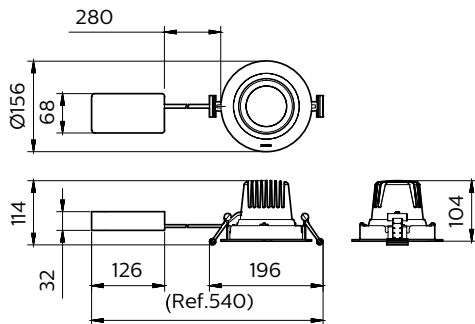
Ambient temperature range	-15 to +35 °C
Maximum dimming level	Not applicable
Suitable for random switching	No

Product Data

Full product code	911401893499
Order product name	RS391B LED35/840 PSU-E WB GM
Order code	01893499
SAP numerator – quantity per pack	1
Numerator – packs per outer box	1
SAP material	911401893499
SAP net weight (piece)	1.699 kg



Dimensional drawing



GD391B/RS391B/ST391T Flex Accent G2

