



CityCurve gen2

BSP295 GRN24/830 PSR-CLO WSO D4 II DB703

CityCurve gen 2 - LED GreenLine 2400 lm - 830 warm white - Power supply unit regulating with constant light output - Safety class II (II) - Wide street optic - Dimming via SDU01S (ON= maximum output level)

Offering a contemporary interpretation of the old 'bell'-shaped street light, CityCurve gen2, with its retro appearance, fits both modern urban spaces as well as historical environments. Its LED module allows cities to focus on reducing energy consumption. Designed for installation at heights of 4 to 6 meters, and offering a wide choice of brackets and columns, CityCurve gen2 is ideal for lighting urban centers and streets, pedestrian areas, squares and parks.

Product data

General Information	
Number of light sources	24 [24 pcs]
Lamp family code	GRN24 [LED GreenLine 2400 lm]
Light source colour	830 warm white
Light source replaceable	Yes
Driver/power unit/transformer	PSR-CLO [Power supply unit regulating with constant light output]
Driver included	Yes
Optical cover/lens type	PCC [Polycarbonate bowl/cover clear]
Light regulation	Dimming via SDU01S (ON= maximum output level)
Protection class IEC	Safety class II (II)
Glow-wire test	650/5 [Temperature 650 °C, duration 5 s]
CE mark	CE mark
ENEC mark	ENEC mark
Outdoor optic type	Wide street optic

Supply cable type	H07RN-3x1.5 [Cable type H07RN (NWPk) without plug 3 poles cross-section 1.5 mm²]
Product Family Code	BSP295 [CityCurve gen 2]
Operating and Electrical	
Input voltage	220 to 240 V
Input frequency	50 to 60 Hz
Control signal voltage	1-10 V DC
Controls and Dimming	
Dimmable	Yes
Mechanical and Housing	
Housing material	Aluminum
Optical cover/lens material	Polycarbonate

CityCurve gen2

Supply cable length	10 m
Mounting device	SP [Spigot]

Approval and Application

Ingress protection code	IP65 [Dust penetration-protected, jet-proof]
Mech. impact protection code	IK10 [20 J vandal-resistant]

Initial Performance (IEC Compliant)

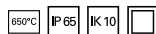
Initial luminous flux	1944 lm
Initial LED luminaire efficacy	67 lm/W
Init. Corr. colour temperature	3000 K
Init. colour rendering index	84
Initial input power	29 W

Application Conditions

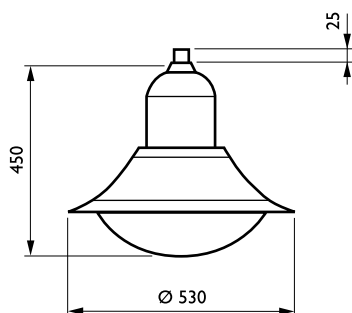
Ambient temperature range	-25 to +35 °C
---------------------------	---------------

Product Data

Full product code	871794312000000
Order product name	BSP295 GRN24/830 PSR-CLO WSO D4 II DB703
EAN/UPC – product	8717943120000
Order code	12000000
Numerator – quantity per pack	1
Numerator – packs per outer box	1
Material no. (12NC)	912300020001
Net weight (piece)	17.000 kg



Dimensional drawing



CityCurve gen2 LED BSP295

