



CityCurve gen2

BSP295 ECO23/830 PSR-CLO WSO II 7035

CityCurve gen 2 - LED EconomyLine 2300 lm - 830 warm white
 - Power supply unit regulating with constant light output -
 Safety class II (II) - Wide street optic

Offering a contemporary interpretation of the old 'bell'-shaped street light, CityCurve gen2, with its retro appearance, fits both modern urban spaces as well as historical environments. Its LED module allows cities to focus on reducing energy consumption. Designed for installation at heights of 4 to 6 meters, and offering a wide choice of brackets and columns, CityCurve gen2 is ideal for lighting urban centers and streets, pedestrian areas, squares and parks.

Product data

| General Information | | Supply cable type | |
|-------------------------------|--|-----------------------------|---|
| Number of light sources | 16 [16 pcs] | | H07RN-3x1.5 [Cable type H07RN (NWPk) without plug 3 poles cross-section 1.5 mm²] |
| Lamp family code | ECO23 [LED EconomyLine 2300 lm] | Product Family Code | BSP295 [CityCurve gen 2] |
| Light source colour | 830 warm white | Operating and Electrical | |
| Light source replaceable | Yes | Input voltage | 220 to 240 V |
| Driver/power unit/transformer | PSR-CLO [Power supply unit regulating with constant light output] | Input frequency | 50 to 60 Hz |
| Driver included | Yes | Control signal voltage | 1-10 V DC |
| Optical cover/lens type | PCC [Polycarbonate bowl/cover clear] | Controls and Dimming | |
| Protection class IEC | Safety class II (II) | Dimmable | Yes |
| Standard RAL colour | Pale gray | Mechanical and Housing | |
| Glow-wire test | 650/5 [Temperature 650 °C, duration 5 s] | Housing material | Aluminum |
| CE mark | CE mark | Optical cover/lens material | Polycarbonate |
| ENEC mark | ENEC mark | Supply cable length | 10 m |
| Outdoor optic type | Wide street optic | | |

CityCurve gen2

| | |
|-----------------|--------------|
| Mounting device | SP [Spigot] |
|-----------------|--------------|

Approval and Application

| | |
|------------------------------|---|
| Ingress protection code | IP65 [Dust penetration-protected, jet-proof] |
| Mech. impact protection code | IK10 [20 J vandal-resistant] |

Initial Performance (IEC Compliant)

| | |
|--------------------------------|---------|
| Initial luminous flux | 1856 lm |
| Initial LED luminaire efficacy | 64 lm/W |
| Init. Corr. colour temperature | 3000 K |
| Init. colour rendering index | 84 |
| Initial input power | 29 W |

Application Conditions

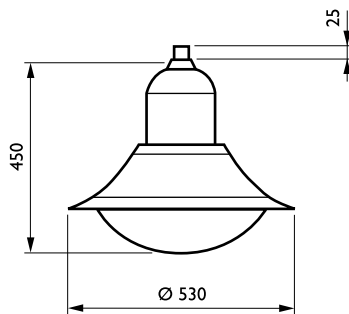
| | |
|---------------------------|---------------|
| Ambient temperature range | -25 to +35 °C |
|---------------------------|---------------|

Product Data

| | |
|---------------------------------|--------------------------------------|
| Full product code | 871794312016100 |
| Order product name | BSP295 ECO23/830 PSR-CLO WSO II 7035 |
| EAN/UPC – product | 8717943120161 |
| Order code | 12016100 |
| Numerator – quantity per pack | 1 |
| Numerator – packs per outer box | 1 |
| Material no. (12NC) | 912300020017 |
| Net weight (piece) | 17.000 kg |



Dimensional drawing



CityCurve gen2 LED BSP295

