



# CitySphere

## BDP780 GRN60/740 PSU DS RB DGR CLO 60P

CitySphere - LED GreenLine 6000 lm - Distribution symmetrical  
 - Constant light output - Post-top for diameter 60 mm

At a time of rapidly changing social practices, every city is looking to be more attractive, welcoming, convenient and safe. CitySphere is a post-top ambiance LED luminaire designed to create a comfortable and pleasant atmosphere that puts the users of public spaces at ease. A slim, discreet presence during the day, it brings urban spaces to life at night. CitySphere delivers a visually comfortable volume of light and gives the city its own color signature. CitySphere comes with dedicated spigots, brackets and poles, enabling development planners, specifiers and decision makers to create a consistent urban identity and ambiance.

### Product data

General Information			
Lamp family code	GRN60 [ LED GreenLine 6000 lm]	Protection class IEC	Safety class I (I)
Light source colour	740 neutral white	Glow-wire test	650/5 [ Temperature 650 °C, duration 5 s]
Light source colour 2	-	Flammability mark	F [ For mounting on normally flammable surfaces]
Light source replaceable	No	CE mark	CE mark
Number of gear units	1 unit	ENEC mark	ENEC mark
Driver/power unit/transformer	PSU [ Power supply unit]	Warranty period	3 years
Driver included	Yes	Outdoor optic type	Distribution symmetrical
Optical cover/lens type	PC-UV [ Polycarbonate bowl/cover UV-resistant]	Photocell	No [ -]
Luminaire light beam spread	148° x 148°	Remarks	*-Per Lighting Europe guidance paper "Evaluating performance of LED based luminaires - January 2018": statistically there is no relevant difference in lumen maintenance between B50 and for example B10. Therefore the median useful life (B50) value also represents the B10 value. * At
Embedded control	CLO [ Constant light output]		
Light regulation	-		
Connection	CU3 [ Connection unit 3-pole]		
Cable	Cable 1.8 m without plug		

	extreme ambient temperatures the luminaire might automatically dim down to protect components
Constant light output	Yes
Number of products on MCB	9
RoHS mark	RoHS mark
LED engine type	LED
Product Family Code	BDP780 [ CitySphere]

#### Light Technical

Upward light output ratio	0.03
Standard tilt angle post-top	0°
Standard tilt angle side entry	0°

#### Operating and Electrical

Input voltage	220 to 240 V
Input frequency	50 to 60 Hz
Initial CLO power consumption	38 W
Average CLO power consumption	43 W
End CLO power consumption	48 W
Inrush current	70 A
Inrush time	0.19 ms
Power factor (min.)	0.9

#### Controls and Dimming

Dimmable	No
----------	----

#### Mechanical and Housing

Housing material	Aluminum
Reflector material	Polycarbonate
Optic material	Polycarbonate
Optical cover/lens material	Polycarbonate
Fixation material	Aluminum
Mounting device	60P [ Post-top for diameter 60 mm]
Optical cover/lens shape	Conical
Optical cover/lens finish	Ribbed
Overall height	662 mm
Overall diameter	661 mm
Effective projected area	0.343 m²
Colour	Dark gray

#### Approval and Application

Ingress protection code	IP66 [ Dust penetration-protected, jet-proof]
Mech. impact protection code	IK10 [ 20 J vandal-resistant]
Surge protection (common/differential)	Philips standard surge protection level kV

#### Initial Performance (IEC Compliant)

Initial luminous flux	4590 lm
Luminous flux tolerance	+/-7%
Initial LED luminaire efficacy	96 lm/W
Init. Corr. colour temperature	4000 K
Init. colour rendering index	70
Initial chromaticity	(0.381, 0.379) SDCM <5
Initial input power	48 W
Power consumption tolerance	+/-11%

#### Over Time Performance (IEC Compliant)

Control gear failure rate at median useful life 100000 h	10 %
Lumen maintenance at median useful life* 100000 h	L100

#### Application Conditions

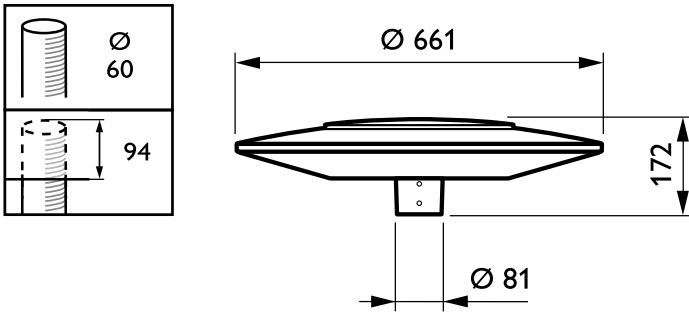
Ambient temperature range	-40 to +50 °C
Performance ambient temperature Tq	25 °C

#### Product Data

Full product code	871794317637300
Order product name	BDP780 GRN60/740 PSU DS RB DGR CLO 60P
EAN/UPC – product	8717943176373
Order code	17637300
Numerator – quantity per pack	1
Numerator – packs per outer box	1
Material no. (12NC)	912300022683
Net weight (piece)	10.450 kg

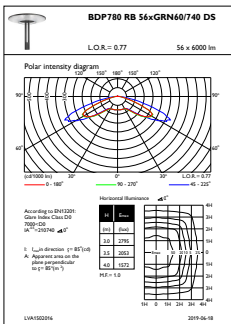


Dimensional drawing

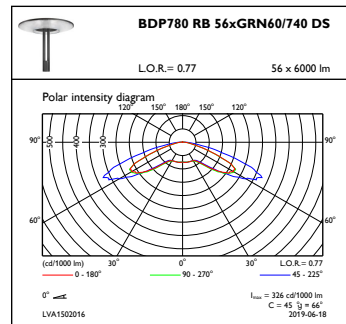


CitySphere BDP780/781/782

Photometric data



OFPL1\_BDP780RB56xGRN60740DS



OFPC1\_BDP780RB56xGRN60740DS

