



CitySphere

BDP780 GRN60/740 PSU II DW RB DGR 76P

CitySphere - LED GreenLine 6000 lm - Distribution wide - Post-top for diameter 76 mm

At a time of rapidly changing social practices, every city is looking to be more attractive, welcoming, convenient and safe. CitySphere is a post-top ambiance LED luminaire designed to create a comfortable and pleasant atmosphere that puts the users of public spaces at ease. A slim, discreet presence during the day, it brings urban spaces to life at night. CitySphere delivers a visually comfortable volume of light and gives the city its own color signature. CitySphere comes with dedicated spigots, brackets and poles, enabling development planners, specifiers and decision makers to create a consistent urban identity and ambience.

Product data

General Information			
Lamp family code	GRN60 [LED GreenLine 6000 lm]	Protection class IEC	Safety class II (II)
Light source colour	740 neutral white	Glow-wire test	650/5 [Temperature 650 °C, duration 5 s]
Light source colour 2	-	Flammability mark	F [For mounting on normally flammable surfaces]
Light source replaceable	No	CE mark	CE mark
Number of gear units	1 unit	ENEC mark	ENEC mark
Driver/power unit/transformer	PSU [Power supply unit]	Warranty period	3 years
Driver included	Yes	Outdoor optic type	Distribution wide
Optical cover/lens type	PC-UV [Polycarbonate bowl/cover UV-resistant]	Photocell	No [-]
Luminaire light beam spread	148° x 106°	Remarks	*-Per Lighting Europe guidance paper "Evaluating performance of LED based luminaires - January 2018": statistically there is no relevant difference in lumen maintenance between B50 and for example B10. Therefore the median useful life (B50) value also represents the B10 value. * At extreme ambient
Embedded control	No [-]		
Light regulation	-		
Connection	Connection unit 2-pole		
Cable	Cable 1.8 m without plug		

	temperatures the luminaire might automatically dim down to protect components
Constant light output	No
Number of products on MCB	9
RoHS mark	RoHS mark
LED engine type	LED
Product Family Code	BDP780 [CitySphere]

Light Technical

Upward light output ratio	0.03
Standard tilt angle post-top	0°
Standard tilt angle side entry	0°

Operating and Electrical

Input voltage	220 to 240 V
Input frequency	50 to 60 Hz
Inrush current	70 A
Inrush time	0.19 ms
Power factor (min.)	0.9

Controls and Dimming

Dimmable	No
----------	----

Mechanical and Housing

Housing material	Aluminum
Reflector material	Polycarbonate
Optic material	Polycarbonate
Optical cover/lens material	Polycarbonate
Fixation material	Aluminum
Mounting device	76P [Post-top for diameter 76 mm]
Optical cover/lens shape	Conical
Optical cover/lens finish	Ribbed
Overall height	662 mm
Overall diameter	661 mm
Effective projected area	0.343 m ²
Colour	Dark gray

Approval and Application

Ingress protection code	IP66 [Dust penetration-protected, jet-proof]
Mech. impact protection code	IK10 [20 J vandal-resistant]
Surge protection (common/differential)	Philips standard surge protection level kV

Initial Performance (IEC Compliant)

Initial luminous flux	4830 lm
Luminous flux tolerance	+/-7%
Initial LED luminaire efficacy	101 lm/W
Init. Corr. colour temperature	4000 K
Init. colour rendering index	70
Initial chromaticity	(0.381, 0.379) SDCM <5
Initial input power	48 W
Power consumption tolerance	+/-11%

Over Time Performance (IEC Compliant)

Control gear failure rate at median useful life 100000 h	10 %
Lumen maintenance at median useful life* 100000 h	L80

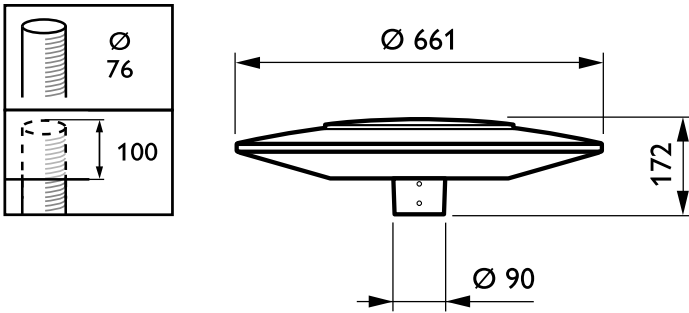
Application Conditions

Ambient temperature range	-40 to +50 °C
Performance ambient temperature Tq	25 °C

Product Data

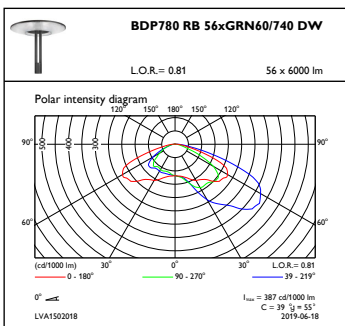
Full product code	871794317662500
Order product name	BDP780 GRN60/740 PSU II DW RB DGR 76P
EAN/UPC – product	8717943176625
Order code	17662500
Numerator – quantity per pack	1
Numerator – packs per outer box	1
Material no. (12NC)	912300022709
Net weight (piece)	10.450 kg

Dimensional drawing

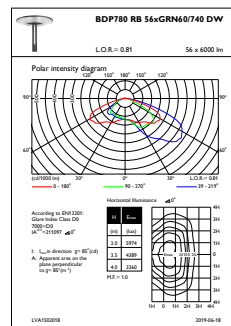


CitySphere BDP780/781/782

Photometric data



OFPC1_BDP780RB56xGRN60740DW



OFPL1_BDP780RB56xGRN60740DW

