



CitySphere

BDP780 ECO120/740/GN PSD DM RB DGR D9 60

CitySphere - LED EconomyLine 12000 lm - Distribution medium
 - Post-top for diameter 60 mm

At a time of rapidly changing social practices, every city is looking to be more attractive, welcoming, convenient and safe. CitySphere is a post-top ambiance LED luminaire designed to create a comfortable and pleasant atmosphere that puts the users of public spaces at ease. A slim, discreet presence during the day, it brings urban spaces to life at night. CitySphere delivers a visually comfortable volume of light and gives the city its own color signature. CitySphere comes with dedicated spigots, brackets and poles, enabling development planners, specifiers and decision makers to create a consistent urban identity and ambience.

Product data

General Information			
Lamp family code	ECO120 [LED EconomyLine 12000 lm]	Cable	Cable 1.8 m without plug
Light source colour	740 neutral white	Protection class IEC	Safety class I (I)
Light source colour 2	Green	Glow-wire test	650/5 [Temperature 650 °C, duration 5 s]
Light source replaceable	No	Flammability mark	F [For mounting on normally flammable surfaces]
Number of gear units	2 units	CE mark	CE mark
Driver/power unit/transformer	PSD [Power supply unit with DALI interface]	ENEC mark	ENEC mark
Driver included	Yes	Warranty period	3 years
Optical cover/lens type	PC-UV [Polycarbonate bowl/cover UV-resistant]	Outdoor optic type	Distribution medium
Luminaire light beam spread	148° x 88°	Photocell	No [-]
Embedded control	No [-]	Remarks	*-Per Lighting Europe guidance paper "Evaluating performance of LED based luminaires - January 2018": statistically there is no relevant difference in lumen maintenance between B50 and for example B10. Therefore the median useful life (B50) value also
Control interface	DALI		
Light regulation	Dimming via external communication DALI		
Connection	CU5 [Connection unit 5-pole]		

	represents the B10 value. * At extreme ambient temperatures the luminaire might automatically dim down to protect components
Constant light output	No
Number of products on MCB	9
RoHS mark	RoHS mark
LED engine type	LED
Product Family Code	BDP780 [CitySphere]

Light Technical

Upward light output ratio	0.03
Standard tilt angle post-top	0°
Standard tilt angle side entry	0°

Operating and Electrical

Input voltage	220 to 240 V
Input frequency	50 to 60 Hz
Inrush current	70 A
Inrush time	0.19 ms
Power factor (min.)	0.9

Controls and Dimming

Dimmable	Yes
----------	-----

Mechanical and Housing

Housing material	Aluminum
Reflector material	Polycarbonate
Optic material	Polycarbonate
Optical cover/lens material	Polycarbonate
Fixation material	Aluminum
Mounting device	60P [Post-top for diameter 60 mm]
Optical cover/lens shape	Conical
Optical cover/lens finish	Ribbed
Overall height	662 mm
Overall diameter	661 mm
Effective projected area	0.343 m ²
Colour	Dark gray

Approval and Application

Ingress protection code	IP66 [Dust penetration-protected, jet-proof]
Mech. impact protection code	IK10 [20 J vandal-resistant]
Surge protection (common/differential)	Philips standard surge protection level kV

Initial Performance (IEC Compliant)

Initial luminous flux	9600 lm
Luminous flux tolerance	+/-7%
Initial LED luminaire efficacy	90 lm/W
Init. Corr. colour temperature	4000 K
Init. colour rendering index	70
Initial chromaticity	(0.381, 0.379) SDCM <5
Initial input power	107 W
Power consumption tolerance	+/-11%

Over Time Performance (IEC Compliant)

Control gear failure rate at median useful life 75000 h	7.5 %
Lumen maintenance at median useful life* 75000 h	L80

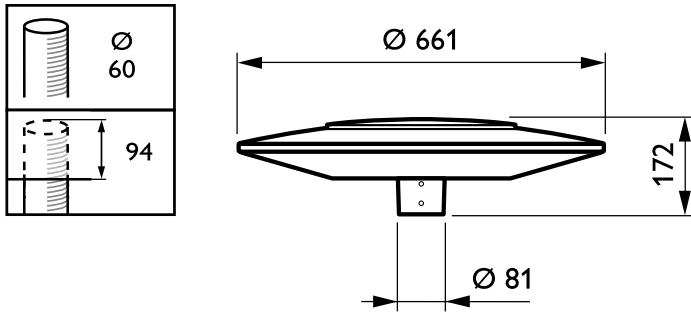
Application Conditions

Ambient temperature range	-40 to +50 °C
Performance ambient temperature Tq	25 °C
Maximum dimming level	10%

Product Data

Full product code	871794317688500
Order product name	BDP780 ECO120/740/GN PSD DM RB DGR D9 60
EAN/UPC – product	8717943176885
Order code	17688500
Numerator – quantity per pack	1
Numerator – packs per outer box	1
Material no. (12NC)	912300022735
Net weight (piece)	10.000 kg

Dimensional drawing



CitySphere BDP780/781/782

