



CitySphere

BDP781 GRN25/740/BL PSU II DM RB DGR CLO

CITYSPHERE - LED GreenLine 2500 lm - Distribution medium - Constant light output - Post-top for diameter 76 mm

At a time of rapidly changing social practices, every city is looking to be more attractive, welcoming, convenient and safe. CitySphere is a post-top ambiance LED luminaire designed to create a comfortable and pleasant atmosphere that puts the users of public spaces at ease. A slim, discreet presence during the day, it brings urban spaces to life at night. CitySphere delivers a visually comfortable volume of light and gives the city its own color signature. CitySphere comes with dedicated spigots, brackets and poles, enabling development planners, specifiers and decision makers to create a consistent urban identity and ambience.

Product data

General Information			
Lamp family code	GRN25 [LED GreenLine 2500 lm]	Protection class IEC	Safety class II (II)
Light source colour	740 neutral white	Glow-wire test	650/5 [Temperature 650 °C, duration 5 s]
Light source colour 2	Blue	Flammability mark	F [For mounting on normally flammable surfaces]
Light source replaceable	No	CE mark	CE mark
Number of gear units	2 units	ENEC mark	ENEC mark
Driver/power unit/transformer	PSU [Power supply unit]	Warranty period	3 years
Driver included	Yes	Outdoor optic type	Distribution medium
Optical cover/lens type	PC-UV [Polycarbonate bowl/cover UV-resistant]	Photocell	No [-]
Luminaire light beam spread	148° x 88°	Remarks	*-Per Lighting Europe guidance paper "Evaluating performance of LED based luminaires - January 2018": statistically there is no relevant difference in lumen maintenance between B50 and for example B10. Therefore the median useful life (B50) value also represents the B10 value. * At
Embedded control	CLO [Constant light output]		
Light regulation	-		
Connection	Connection unit 2-pole		
Cable	Cable 1.8 m without plug		

	extreme ambient temperatures the luminaire might automatically dim down to protect components
Constant light output	Yes
Number of products on MCB	11
RoHS mark	RoHS mark
LED engine type	LED
Product Family Code	BDP781 [CITYSPHERE]

Light Technical

Upward light output ratio	0.03
Standard tilt angle post-top	0°
Standard tilt angle side entry	0°

Operating and Electrical

Input voltage	220 to 240 V
Input frequency	50 to 60 Hz
Initial CLO power consumption	18 W
Average CLO power consumption	20 W
End CLO power consumption	22 W
Inrush current	80 A
Inrush time	0.15 ms
Power factor (min.)	0.9

Controls and Dimming

Dimmable	No
----------	----

Mechanical and Housing

Housing material	Aluminum
Reflector material	Polycarbonate
Optic material	Polycarbonate
Optical cover/lens material	Polycarbonate
Fixation material	Aluminum
Mounting device	76P [Post-top for diameter 76 mm]
Optical cover/lens shape	Conical
Optical cover/lens finish	Ribbed
Overall height	172 mm
Overall diameter	661 mm
Effective projected area	0.343 m²
Colour	Dark gray

Approval and Application

Ingress protection code	IP66 [Dust penetration-protected, jet-proof]
Mech. impact protection code	IK10 [20 J vandal-resistant]
Surge protection (common/differential)	Philips standard surge protection level kV

Initial Performance (IEC Compliant)

Initial luminous flux	2000 lm
Luminous flux tolerance	+/-7%
Initial LED luminaire efficacy	91 lm/W
Init. Corr. colour temperature	4000 K
Init. colour rendering index	70
Initial chromaticity	(0.381, 0.379) SDCM <5
Initial input power	22 W
Power consumption tolerance	+/-11%

Over Time Performance (IEC Compliant)

Control gear failure rate at median useful life 100000 h	10 %
Lumen maintenance at median useful life* 100000 h	L100

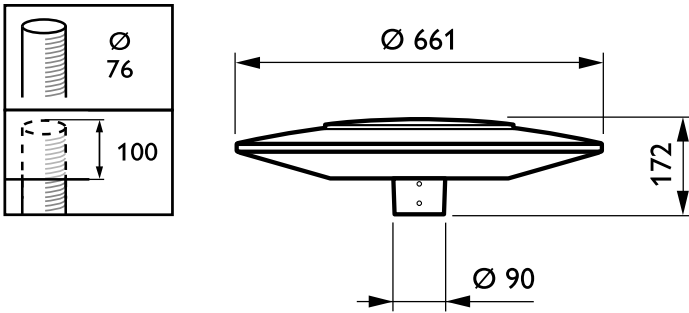
Application Conditions

Ambient temperature range	-40 to +50 °C
Performance ambient temperature Tq	25 °C

Product Data

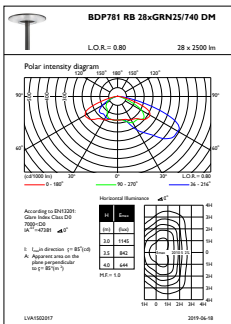
Full product code	871794317695300
Order product name	BDP781 GRN25/740/BL PSU II DM RB DGR CLO
EAN/UPC – product	8717943176953
Order code	17695300
Numerator – quantity per pack	1
Numerator – packs per outer box	1
Material no. (12NC)	912300022742
Net weight (piece)	10.450 kg

Dimensional drawing

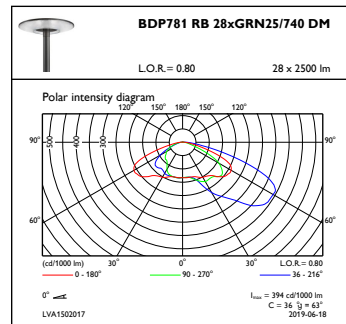


CitySphere BDP780/781/782

Photometric data



OFPL1_BDP781RB28xGRN25740DM



OFPC1_BDP781RB28xGRN25740DM

