



ClassicStreet brackets

JGB794 MBP-S 750 60 BK

CLASSICSTREET BRACKETS SUSPENDED - Pole-mounting bracket 1 arm - 750 mm - Black

Recalling the iconic beauty of 20th-century street lanterns, ClassicStreet combines elegant design with the subtle details of heritage luminaires while meeting today's urban lighting requirements. Though echoing the past, the ClassicStreet luminaire is very much shaped for the future. Its gently curved design, together with dedicated brackets and poles, creates a contemporary look that beautifies our cities and creates distinctive and warm night- and daytime ambiances. Not only in historical and traditional architectural settings, but also in more modern urban environments too. Designed around its LED engine, ClassicStreet delivers outstanding levels of lighting and energy performance.

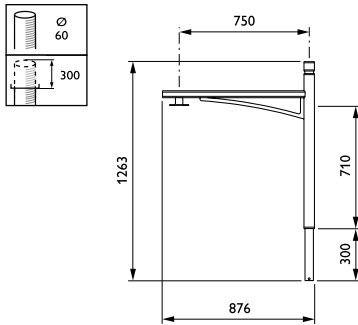
Product data

General Information	
Bracket type	Pole-mounting bracket 1 arm
Bracket colour	Black
Product Family Code	JGB794 [CLASSICSTREET BRACKETS SUSPENDED]
Mechanical and Housing	
Bracket length	750 mm
Product Data	
Full product code	871794321645100

Order product name	JGB794 MBP-S 750 60 BK
EAN/UPC – product	8717943216451
Order code	21645100
Numerator – quantity per pack	1
Numerator – packs per outer box	1
Material no. (12NC)	912300023368
Net weight (piece)	6.900 kg

ClassicStreet brackets

Dimensional drawing



ClassicStreet brackets JGB794/795

