



# ClassicStreet brackets

## JGB795 MBP-S 750 60 BK

CLASSICSTREET BRACKETS POST TOP - Pole-mounting bracket 1 arm - 750 mm - Black

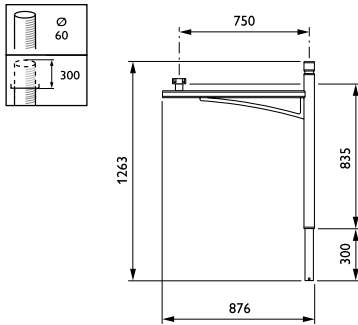
Recalling the iconic beauty of 20th-century street lanterns, ClassicStreet combines elegant design with the subtle details of heritage luminaires while meeting today's urban lighting requirements. Though echoing the past, the ClassicStreet luminaire is very much shaped for the future. Its gently curved design, together with dedicated brackets and poles, creates a contemporary look that beautifies our cities and creates distinctive and warm night- and daytime ambiances. Not only in historical and traditional architectural settings, but also in more modern urban environments too. Designed around its LED engine, ClassicStreet delivers outstanding levels of lighting and energy performance.

### Product data

General Information		Order product name	
Bracket type	Pole-mounting bracket 1 arm	Order product name	JGB795 MBP-S 750 60 BK
Bracket colour	Black	EAN/UPC – product	8717943216482
Product Family Code	JGB795 [ CLASSICSTREET BRACKETS POST TOP]	Order code	21648200
Mechanical and Housing		Numerator – quantity per pack	1
Bracket length	750 mm	Numerator – packs per outer box	1
Product Data		Material no. (12NC)	912300023371
Full product code	871794321648200	Net weight (piece)	6.900 kg

## ClassicStreet brackets

### Dimensional drawing



ClassicStreet brackets JGB794/795

